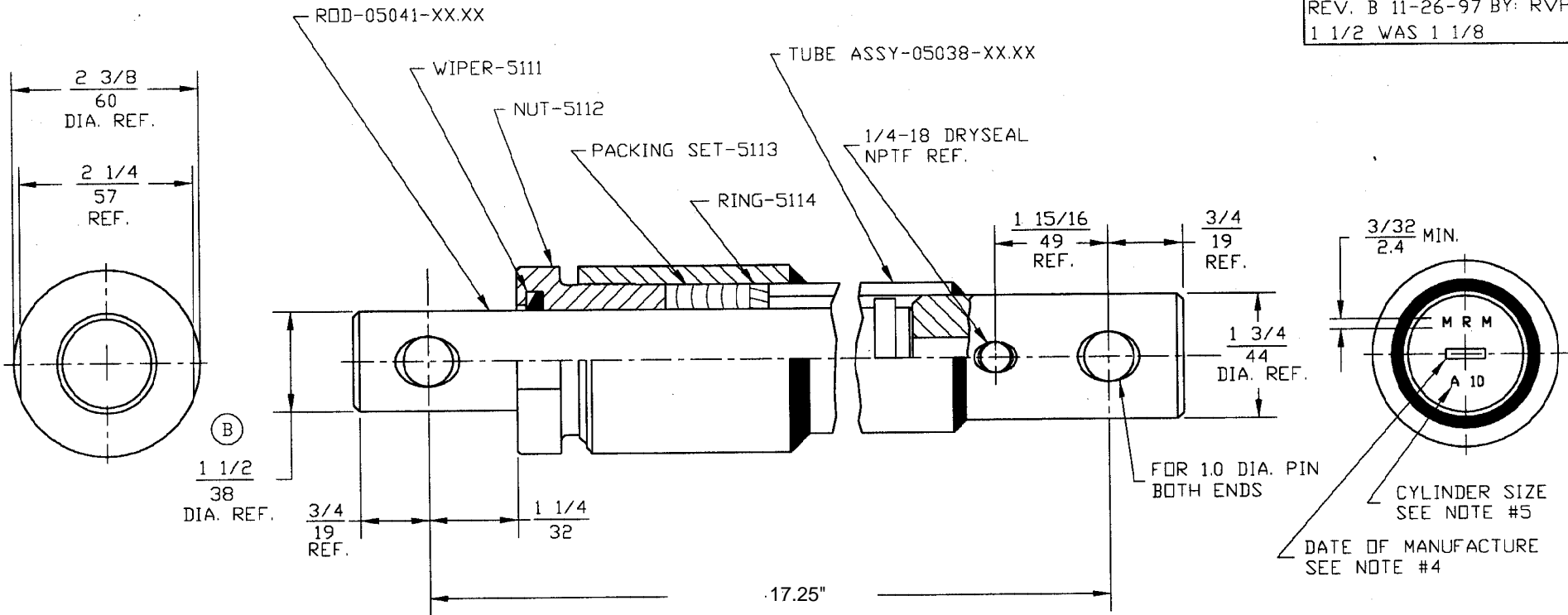


REV. 7-3-90, BY: M T H
 PAPER: SIZE FROM C TO B
 REV. B 11-26-97 BY: RVP
 1 1/2 WAS 1 1/8



ref part # MS150-10.00-008



Mason Dynamics, Inc.

Hydraulic Sales & Service