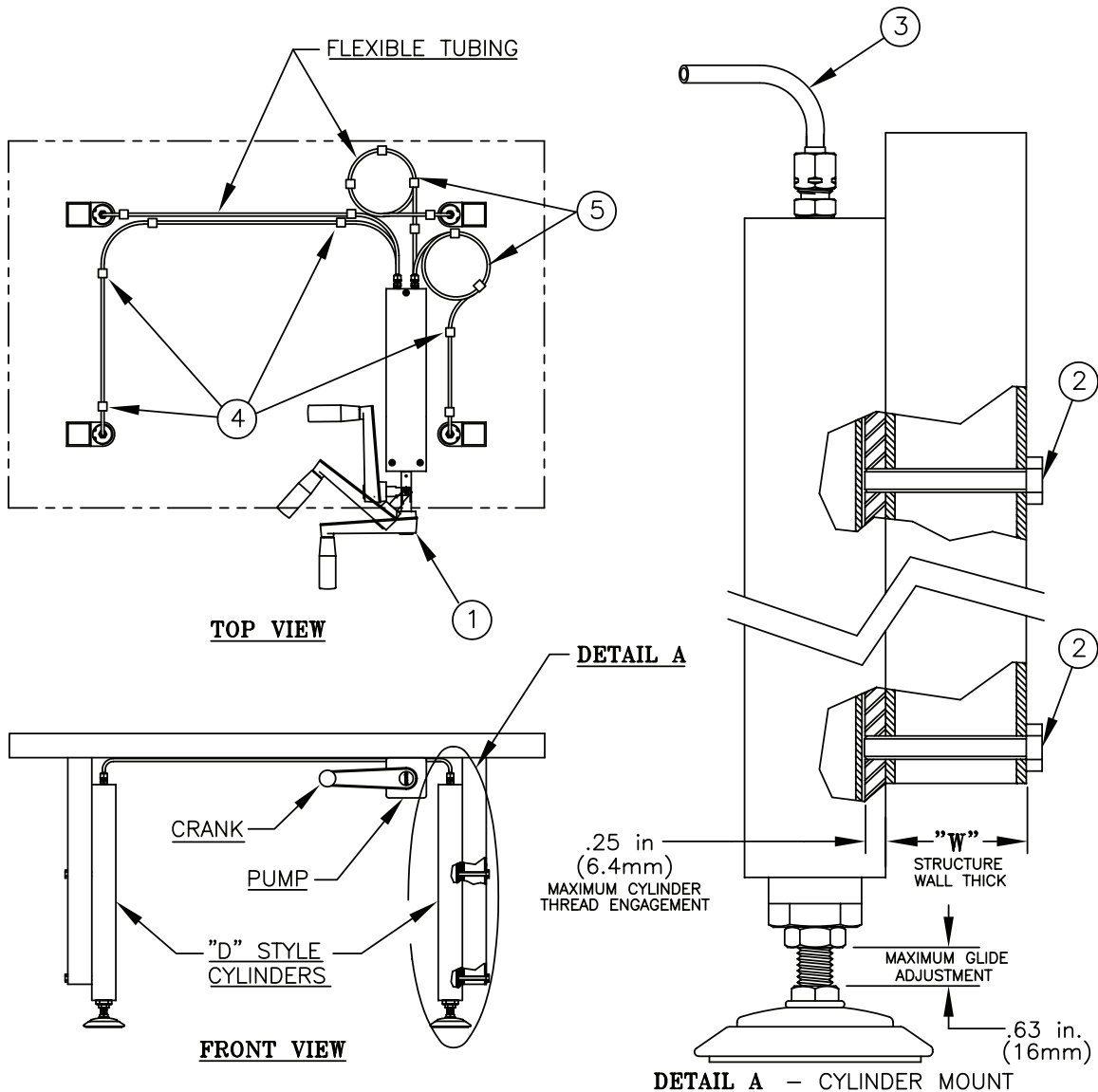


## Dyna-Lift Application Guide (Manual Dyna-Lift Only)

Please reference diagrams and correlating instructions below for installation.



1. Pump should be mounted to structure so that the pump crank is easily accessible by user in its folded position.
2. Use 1/4-20 screws to mount "D" style cylinder to structure.

**\*\*IMPORTANT NOTE: Cylinder mounting screw thread engagement should not exceed .25 in (6.4 mm). Overall screw length can be determined by adding "W" + .25 in (6.4 mm).\*\***

3. Minimum flexible tubing bend radius = 1 in (25.4 mm).
4. To avoid damage to flexible tubing, take special care to route tubing away from sharp edges, moving parts and/or the user. Flexible tubing can be affixed to structure with cable or wire carrying clips.

**\*\*IMPORTANT NOTE: CLIPS MUST NOT CLAMP ONTO OR GRIP TUBING IN ANY MANNER.\*\***

5. Coil excess flexible tubing near the backside of the pump to avoid damage. To remove excess tubing, consult factory for instructions.

**\*\*IMPORTANT NOTE: LOAD MUST BE EVENLY DISTRIBUTED OVER ALL CYLINDERS.\*\***