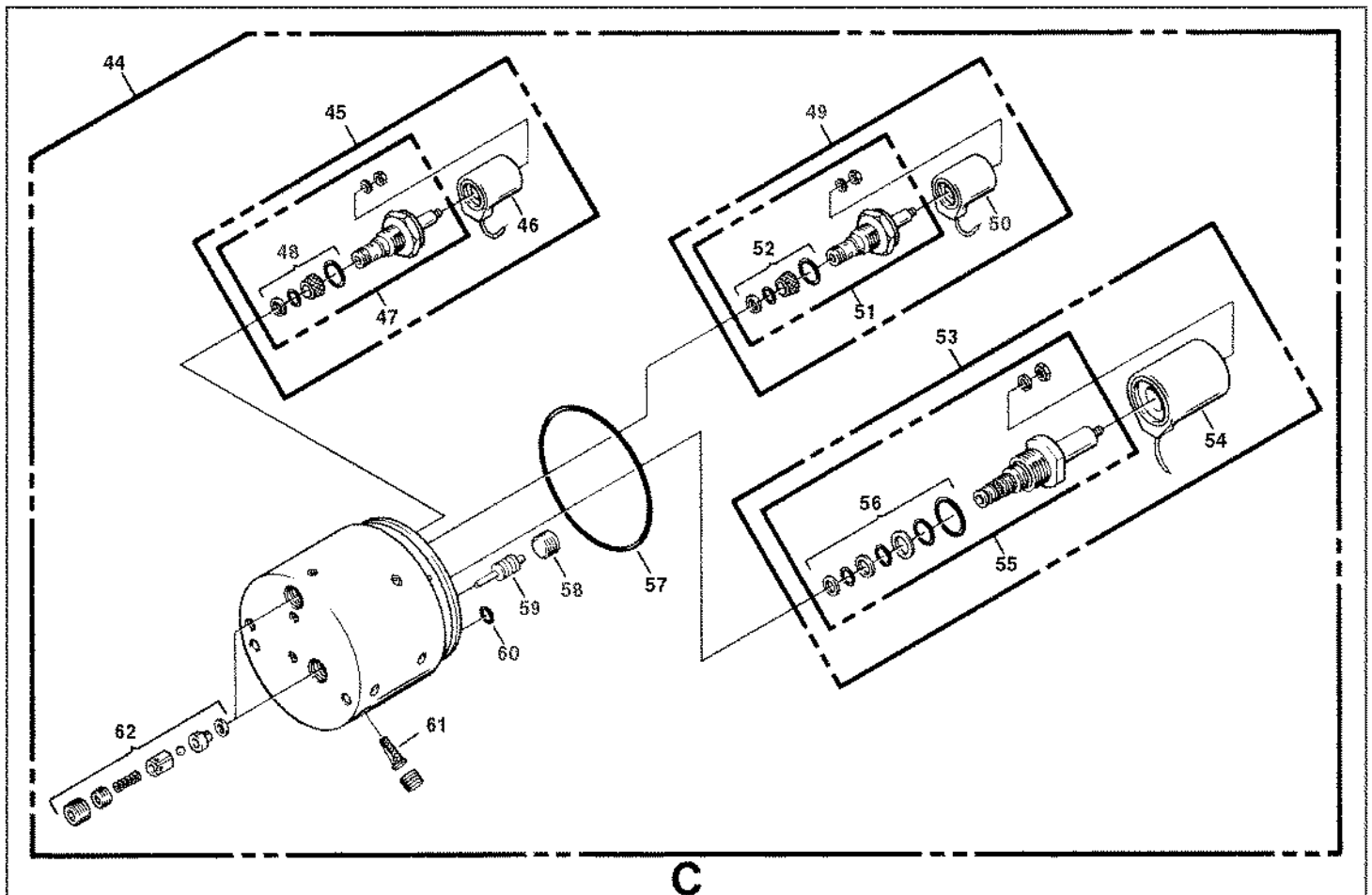
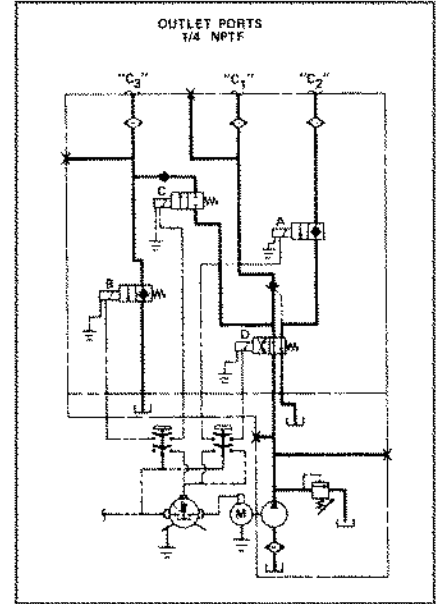
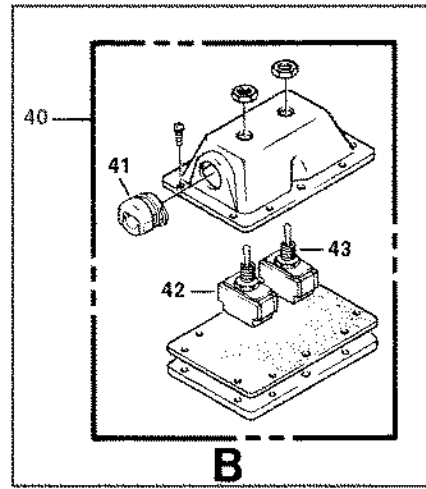
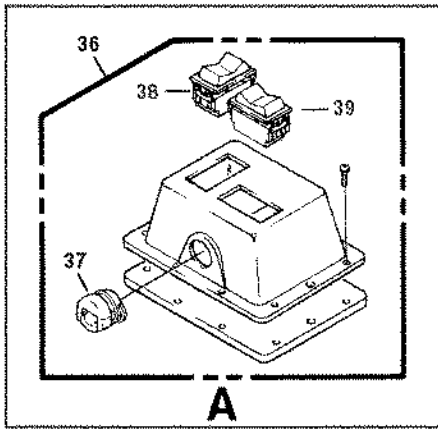


M-682

Ref. No.	Part No.	Description	No. Req.
1	03740	CORD, Harness, 72" 16-6, valve grounded (Toggle & Rocker)	1
	03398	CORD, Harness, 72" 16-6, switches grounded (Toggle & Rocker)	1
2	01349	STRAP, Motor-Solenoid Connecting	1
3	17071	SCREW, Round Head Machine 10-32 x 5/16"	2
4	03414	TERMINAL, Male Tab, 1/4" Slip-On	1
5	03427	SWITCH, Solenoid, 12 VDC, 3 post	1
	03481	SWITCH, Solenoid, 12 VDC, 3 post (weather proof)	1
	03336	SWITCH, Solenoid, 12 VDC, 3 post	1
	03340	SWITCH, Solenoid, 12 VDC, 3 post (weather proof)	1
	03335	SWITCH, Solenoid, 12 VDC, 4 post	1
	03342	SWITCH, Solenoid, 12 VDC, 4 post (weather proof)	1
	03467	SWITCH, Solenoid, 24 VDC, 3 post	1
	03652	SWITCH, Solenoid, 24 VDC, 3 post (weather proof)	1
	03343	SWITCH, Solenoid, 24 VDC, 3 post	1
	03344	SWITCH, Solenoid, 24 VDC, 3 post (weather proof)	1
6	01433	FITTING, Strain Relief, slotted	1
7	08111	MOTOR, Electric, 12 VDC	1
	08112	MOTOR, Electric, 12 VDC	1
	08120	MOTOR, Electric, 24 VDC	1
8	02318	• BEARING, Base, motor	1
9	07625	• NUT, Hex 5/16-24	1
10	07781	• WASHER, Lock 5/16"	1
11	07737	• WASHER, Star 1/4"	4
12	07795	• WASHER, Lock 1/4"	2
13	07738	• SCREW, Hex Head Cap, 1/4-20 x 6-1/2"	2
		FOR FURTHER BREAKDOWN OF MOTOR, SEE MOTOR SECTION	
14	04521	BRACKET ASSEMBLY, Mounting	1
15	07833	CLAMP, Hose (worm gear) #80 (2-11/16" to 5-1/2")	2
16	02238	BRACKET, Mounting	1
17	07717	SCREW, Hex Head, thread forming 1/4-20 x 1-3/8"	2
18	01329	ADAPTER, Pump Mounting Bracket	1

Ref. No.	Part No.	Description	No. Req.
19	01450-08.31	TUBE, Pressure, in-line internal (for 06703 reservoir)	1
	01450-10.31	TUBE, Pressure, in-line internal (for 06704 reservoir)	1
	01450-11.31	TUBE, Pressure, in-line internal (for 06705 reservoir)	1
20	12471	BASE ASSEMBLY, Modular	1
21	02159	• SEAL	1
22	00122	• O-RING, Industrial (3/8" x 9/16" x 3/32")	1
23	03766	• PARTS KIT, Relief Valve	1
24	02352	• O-RING, Industrial (3-5/8" x 3-7/8" x 1/8")	1
25	00120	• O-RING, Industrial (1/2 x 5/8 x 1/16)	1
26	K12171-150	PUMP ASSEMBLY, Modular	1
	K12171-200	PUMP ASSEMBLY, Modular	1
	K12171-250	PUMP ASSEMBLY, Modular	1
	K12171-270	PUMP ASSEMBLY, Modular	1
	K12171-330	PUMP ASSEMBLY, Modular	1
	K12171-380	PUMP ASSEMBLY, Modular	1
	K12171-510	PUMP ASSEMBLY, Modular	1
27	07819	• SCREW, 1/4-20 x 2 3/4 Socket Head Cap (For Pump Assembly -150 & -200)	4
	07818	• SCREW, 1/4-20 x 3 Socket Head Cap (For Pump Assembly -250, -270, -330, -380)	4
	07837	• SCREW, 1/4-20 x 3 1/4 Socket Head Cap (For Pump Assembly -510)	4
28	06703	RESERVOIR, 4-1/2 Dia. x 8", 60 cu. in. usable	1
	06704	RESERVOIR, 4-1/2 Dia. x 10", 85 cu. in. usable	1
	06705	RESERVOIR, 4-1/2 Dia. x 11", 98 cu. in. usable	1
29	01143	PLUG, Vent (plastic)	1
30	07703	SCREW, Thread Forming 10-24 x 3/8"	12
31	01209	TUBE, Filter Suction 3/8 NPT 90 Deg. (plastic)	1
32	01134	SCREEN, Filter (suction)	1
33	01339	TERMINAL, Closed End, connector (large)	1
34	01338	TERMINAL, Closed End, connector (small)	4
35	01274	TUBE, Return (1/8 NPT))	1



M-682

Ref. No.	Part No.	Description	No. Req.
36	03201	BOX ASSEMBLY, Rocker Switches	1
37	01414	• STRAINRELIEF, (Plastic)	1
38	03396	• SWITCH, Rocker (without float)	1
39	03397	• SWITCH, Rocker	1
40	03254	BOX ASSEMBLY, Toggle Switches	1
41	01414	• STRAINRELIEF (Plastic)	1
42	03394	• SWITCH, Toggle	1
43	03393	• SWITCH, Toggle (without float)	1
44	00508	VALVE ASSEMBLY COMPLETE, 12 VDC, 3 Way - 4 Way, grounded coils	1
	00837	VALVE ASSEMBLY COMPLETE, 12 VDC, 3 Way - 4 Way, 2 lead coils	1
	00516	VALVE ASSEMBLY COMPLETE, 24 VDC 3 Way - 4 Way, grounded coils	1
	01018	VALVE ASSEMBLY COMPLETE, 24 VDC 3 Way-4 Way, 2 lead coils	1
45	00488	• VALVE, 2 Way-2 Position, poppet, 12 VDC, grounded coil	2
	00094	• VALVE, 2 Way-2 Position, poppet, 12 VDC, 2 leads	2
	00491	• VALVE, 2 Way-2 Position, poppet, 12 VDC, grounded coil	2
	00092	• VALVE, 2 Way-2 Position, poppet, 24 VDC 2 leads	2
46	00496	• COIL, 12 VDC, 2 Way-2 Position, grounded coil	2
	00089	• COIL, 12 VDC, 2 Way-2 Position, 2 leads	2
	00497	• COIL, 24 VDC, 2 Way-2 Position, grounded coil	2
	00093	• COIL, 24 VDC, 2 Way - 2 Position, 2 leads	2
47	00262	• CARTRIDGE, 2 Way - 2 Position poppet valve 12 VDC & 24 VDC	2
48	00121	••• PARTS KIT, 2 Way - 2 Position, cartridge valve	2
49	00492	• VALVE, 2 Way - 2 Position, spool, 12 VDC, grounded coil	1
	00367	• VALVE, 2 Way - 2 Position, spool, 12 VDC 2 leads	1
	00493	• VALVE, 2 Way - 2 Position, spool, 24 VDC, grounded coil	1

Ref. No.	Part No.	Description	No. Req.
	00383	• VALVE, 2 Way - 2 Position, spool 24 VDC, 2 leads	1
50	00496	• COIL, 12 VDC, 2 Way - 2 Position, grounded coil	1
	00089	• COIL, 12 VDC, 2 Way - 2 Position, 2 leads	1
	00497	• COIL, 24 VDC, 2 Way - 2 Position, grounded coil	1
	00093	• COIL, 24 VDC, 2 Way - 2 Position, 2 leads	1
51	00368	• CARTRIDGE, 2 Way - 2 Position, spool valve, 12 VDC & 24 VDC	1
52	00121	••• PARTS KIT, 2 Way - 2 Position, cartridge valve	1
53	00494	• VALVE, 4 Way-2 Position, 12 VDC, grounded coil	1
	00095	• VALVE, 4 Way-2 Position, 12 VDC, 2 leads	1
	00495	• VALVE, 4 Way-2 Position, 24 VDC, grounded coil	1
	00974	• VALVE, 4 Way - 2 Position, 24 VDC, 2 leads	1
54	00499	• COIL, 12 VDC, 4 Way - 2 Position, grounded coil	1
	00096	• COIL, 12 VDC, 4 Way - 2 Position, 2 leads	1
	00498	• COIL, 24 VDC, 4 Way - 2 Position, grounded coil	1
	00292	• COIL, 24 VDC, 4 Way - 2 Position, 2 leads	1
55	00266	• CARTRIDGE, 4 WAY - 2 POSITION, 12 VDC & 24 VDC	1
56	00112	••• PARTS KIT, 4 Way - 2 Position, cartridge valve	1
57	02352	• O-RING, Industrial (3-5/8" x 3-7/8" x 1/8")	1
58	02349	• PLUG, Pipe, flush 3/8 NPT	1
59	00061	• PISTON ASSEMBLY, Pilot Check	1
60	00122	• O-RING, Industrial (3/8" x 9/16" x 3/32")	1
61	01316	• FILTER, Screen Pressure Ports	3
62	03624	• PARTS KIT, Valve Assembly, poppet/ball check	2
FOR FURTHER BREAKDOWN OF VALVE, SEE VALVE SECTION			



U.S.A.:
MONARCH HYDRAULICS, INC.
 P.O. Box 1764, Grand Rapids, Michigan 49501-1764, U.S.A.
 Telephone: (616) 458-1306
 Telefax: (616) 458-1616
<http://www.monarchhyd.com>

Form No. 2181-01

CANADA:
FLUID-PACK INTERNATIONAL LIMITED
 A Part of the Monarch Hydraulics Group
 460 Newbold St., London, Ontario, Canada N6E 1K3
 Telephone: (519) 686-5900
 Telefax: (519) 686-8976

[Back to TOC](#)

Litho in U.S.A.