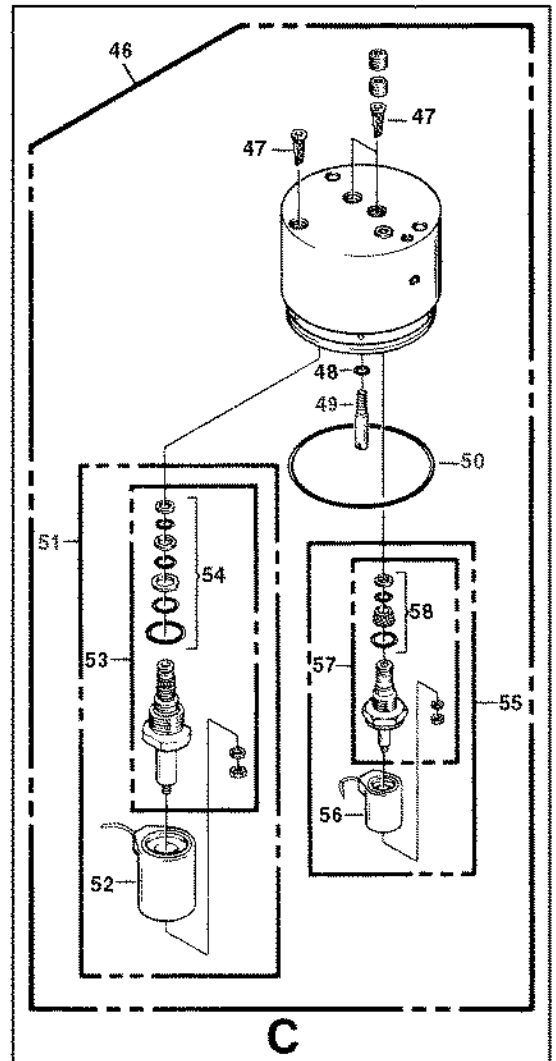
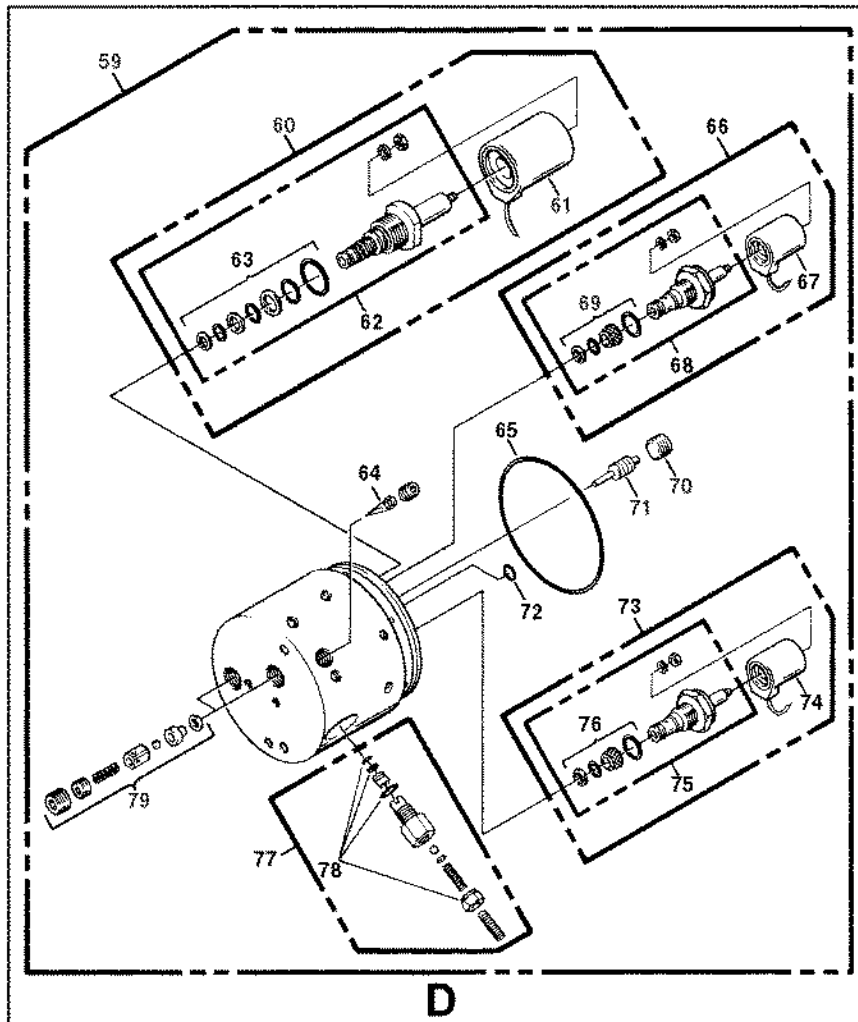
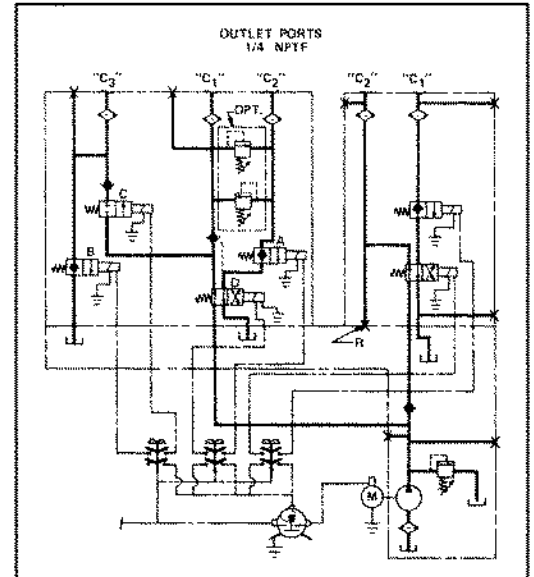
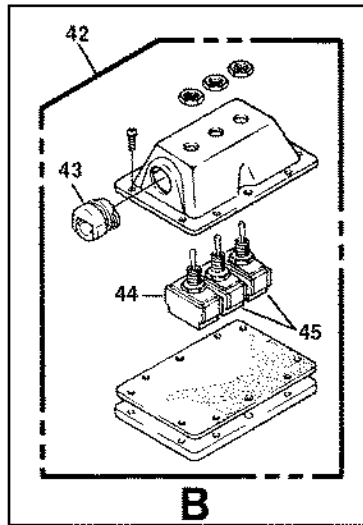
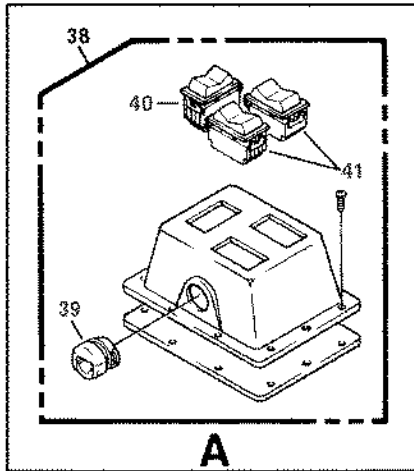


M-668

Ref. No.	Part No.	Description	No. Req.
1	01487	ELBOW ASSEMBLY, 90 Deg. Steel 3/8 Tube x 1/4 NPT	1
2	01527	TUBE, External Pressure, 90 deg. 3/8 OD steel	1
3	03729	CORD, Harness, 72" 18-8, valve grounded (toggle & rocker)	1
	03651	CORD, Harness, 72" 18-8, switches grounded (toggle & rocker)	1
4	01488	CONNECTOR ASSEMBLY, 3/8 Tube x 1/4 NPT	1
5	00074	VALVE ASSEMBLY, External In-line Check	1
6	01197	BUSHING, Reducer 3/8 NPT x 1/4 NPT	1
7	01349	STRAP, Motor-Solenoid Connecting	1
8	17071	SCREW, Round Head Machine 10-32 x 5/16"	2
9	03414	TERMINAL, Male Tab, 1/4" slip-on	1
10	03427	SWITCH, Solenoid, 12 VDC, 3 post	1
	03481	SWITCH, Solenoid, 12 VDS, 3 post (weather proof)	1
	03336	SWITCH, Solenoid, 12 VDC, 3 post	1
	03340	SWITCH, Solenoid, 12 VDC, 3 post (weather proof)	1
	03335	SWITCH, Solenoid, 12 VDC, 4 post	1
	03342	SWITCH, Solenoid, 12 VDC, 4 post (weather proof)	1
	03467	SWITCH, Solenoid, 24 VDC, 3 post	1
	03652	SWITCH, Solenoid, 24 VDC, 3 post (weather proof)	1
	03343	SWITCH, Solenoid, 24 VDC, 3 post	1
	03344	SWITCH, Solenoid, 24 VDC, 3 post, (weather proof)	1
11	08111	MOTOR, Electric, 12 VDC	1
	08112	MOTOR, Electric, 12 VDC	1
	08120	MOTOR, Electric, 24 VDC	1
12	07625	• NUT, Hex 5/16-24	1
13	07781	• WASHER, Lock 5/16"	1
14	07738	• SCREW, Hex Head Cap 1/4-20 x 6-1/2"	2
15	07795	• WASHER, Lock 1/4"	2
16	07737	• WASHER, Star 1/4"	2
17	02318	• BEARING, Base, motor	1
		FOR FURTHER BREAKDOWN OF MOTOR, SEE MOTOR SECTION	
18	12398	BASE ASSEMBLY, Modular	1
19	02159	• SEAL	1
20	03766	• PARTS KIT, Relief Valve	1
21	00122	• O-RING, Industrial (3/8" x 9/16" x 3/32")	1
22	02352	• O-RING, Industrial (3-5/8" x 3-7/8" x 1/8")	1
23	00120	• O-Ring, Industrial (1/2" x 5/8" x 1/16")	1
24	13059	TUBE, Return (1/8 NPT)	1
25	K12171-150	PUMP ASSEMBLY, Modular	1
	K12171-200	PUMP ASSEMBLY, Modular	1
	K12171-250	PUMP ASSEMBLY, Modular	1
	K12171-270	PUMP ASSEMBLY, Modular	1
	K12171-330	PUMP ASSEMBLY, Modular	1
	K12171-380	PUMP ASSEMBLY, Modular	1

Ref. No.	Part No.	Description	No. Req.
	K12171-510	PUMP ASSEMBLY, Modular	1
26	07819	• SCREW, 1/4-20 x 2 3/4 Socket Head Cap (For Pump Assembly -150 & -200)	4
	07818	• SCREW, 1/4-20 x 3 Socket Head Cap (For Pump Assembly -250, -270, -330, -380)	4
	07837	• SCREW, 1/4-20 x 3 1/4 Socket Head Cap (For Pump Assembly -510)	4
		FOR FURTHER BREAKDOWN OF PUMP ASSEMBLY, SEE PUMP SECTION	
27	01209	TUBE, Filter Suction 3/8 NPT 90 Deg. (plastic)	1
28	01134	SCREEN, Filter (suction)	1
29	01450-13.19	TUBE, Pressure, in-line internal (for 06572 reservoir)	1
	01450-15.19	TUBE, Pressure, in-line internal (for 06773 reservoir)	1
	01450-18.19	TUBE, Pressure, in-line internal (for 06500 reservoir)	1
30	01143	PLUG, Vent (plastic)	1
31	06572	RESERVOIR, 5" x 5" x 10", 172 cu. in. usable	1
	06573	RESERVOIR, 5" x 5" x 12", 209 cu. in. usable	1
	06500	RESERVOIR, 5" x 5" x 15", 265 cu. in. usable	1
32	07703	SCREW, Thread Forming 10-24 x 3/8"	18
33	01420	FITTING, Strain Relief, slotted	1
34	01338	TERMINAL, Closed End, connector (large)	2
35	01339	TERMINAL, Closed End, connector (small)	6
36	01286	FITTING, Return, diffuser	1
37	01479-04.00	TUBE, Return 1/8 NPT x 4" (plastic)	1
38	03258	BOX ASSEMBLY, Rocker Switches, without float	1
	03257	BOX ASSEMBLY, Rocker Switches, with float	1
39	01418	• STRAIN RELIEF (plastic)	1
40	03396	• SWITCH, Rocker, without float	1
	03395	• SWITCH, Rocker, with float	1
41	03397	• SWITCH, Rocker	2
42	03260	BOX ASSEMBLY, Toggle Switches, without float	1
	03259	BOX ASSEMBLY, Toggle Switches, with float	1
43	01418	• STRAIN RELIEF, (Plastic)	1
44	03393	• SWITCH, Toggle, without float	1
		• SWITCH, Toggle, with float	1
45	03394	• SWITCH, Toggle	2
46	00510	VALVE ASSEMBLY COMPLETE, 12 VDC, 4-way, grounded coils	1
	00844	VALVE ASSEMBLY COMPLETE, 12 VDC, 4-way, 2 lead coils	1
	00511	VALVE ASSEMBLY COMPLETE, 24 VDC, 4-way, grounded coils	1
	01053	VALVE ASSEMBLY COMPLETE, 24 VDC, 4-way, 2 lead coils	1
47	01316	• FILTER, Screen Pressure Ports	3
48	00122	• O-RING, Industrial (3/8" x 9/16" x 3/32")	1
49	00282	• PLUG, Pressure Port, internal	1



M-668

Ref. No.	Part No.	Description	No. Req.
50	02352	• O-RING, Industrial (3-5/8" x 3-7/8" x 1/8")	1
51	00494	• VALVE, 4 Way-2 Position, 12 VDC, grounded coil	1
	00095	• VALVE, 4 Way-2 Position, 12 VDC, 2 leads	1
	00495	• VALVE, 4 Way-2 Position, 24 VDC, grounded coil	1
	00974	• VALVE, 4 Way-2 Position, 24 VDC, 2 leads	1
52	00499	•• COIL, 12 VDC, 4 Way-2 Position, grounded coil	1
	00096	•• COIL, 12 VDC, 4 Way-2 Position, 2 leads	1
	00498	•• COIL, 24 VDC, 4 Way-2 Position, grounded coil	1
	00292	•• COIL, 24 VDC, 4 Way-2 Position, 2 leads	1
53	00266	•• CARTRIDGE, 4 Way - 2 Position 12 VDC & 24 VDC	1
54	00112	••• PARTS KIT, 4 Way - 2 position, cartridge valve	1
55	00488	• VALVE, 2 Way-2 Position, 12 VDC, grounded coil	1
	00094	• VALVE, 2 Way-2 Position, 12 VDC, 2 leads	1
	00491	• VALVE, 2 Way-2 Position, 24 VDC, grounded coil	1
	00092	• VALVE, 2 Way-2 Position, 24 VDC, 2 leads`	1
56	00496	•• COIL, 12 VDC, 2 Way-2 Position, grounded coil	1
	00089	•• COIL, 12VDC, 2 Way-2 Position, 2 leads	1
	00497	•• COIL, 24 VDC, 2 Way - 2 Position, grounded 1 coil	1
	00093	•• COIL, 24 VDC, 2 Way-2 Position, 2 leads	1
57	00262	•• CARTRIDGE, 2 Way - 2 Position 12 VDC & 24 VDC	1
58	00121	••• PARTS KIT, 2 Way - 2 Position, cartridge valve	1
59	00508	VALVE ASSEMBLY COMPLETE, 12 VDC, 3 Way-4 Way, less cross-overs, grounded coils	1
	00837	VALVE ASSEMBLY COMPLETE, 12 VDC, 3 Way-4 Way, less cross-overs, 2 lead coils	1
	00515	VALVE ASSEMBLY COMPLETE, 12 VDC, 3 Way-4 Way, with cross-overs, grounded coils	1
	00838	VALVE ASSEMBLY COMPLETE, 12 VDC, 3 Way-4 Way, with cross-overs, 2 lead coils	1
	00516	VALVE ASSEMBLY COMPLETE, 24 VDC, 3 Way-4 Way, less cross-overs, grounded coils	1
	01018	VALVE ASSEMBLY COMPLETE, 24 VDC, 3 Way-4 Way, less cross-overs, 2 lead coils	1
	00517	VALVE ASSEMBLY COMPLETE, 24 VDC, 3 Way-4 Way, with cross-overs, grounded coils	1
	01017	VALVE ASSEMBLY COMPLETE, 24 VDC, 3 Way-4 Way, with cross-overs, 2 lead coils	1
60	00494	• VALVE, 4 Way-2 Position, 12 VDC, grounded coil	1
	00095	• VALVE, 4 Way-2 Position, 12 VDC, 2 leads	1
	00495	• VALVE, 4 Way-2 Position, 24 VDC, grounded coil	1
	00974	• VALVE, 4 Way-2 Position, 24 VDC, 2 leads	1
61	00499	•• COIL, 12 VDC, 4 Way-2 Position, grounded coil	1
	00096	•• COIL, 12 VDC, 4 Way-2 Position, 2 leads	1

Ref. No.	Part No.	Description	No. Req.
	00498	•• COIL, 24 VDC, 4 Way-2 Position, grounded coil	1
	00292	•• COIL, 24 VDC, 4 Way-2 Position, 2 leads	1
62	00266	•• CARTRIDGE, 4 Way - 2 Position 12 VDC & 24 VDC	1
63	00112	••• PARTS KIT, 4 Way - 2 Position, cartridge valve	1
64	01316	• FILTER, Screen Pressure Ports	3
65	02352	• O-RING, Industrial (3-5/8" x 3-7/8" x 1/8")	1
66	00492	• VALVE, 2 Way-2 Position, spool, 12 VDC, grounded coil	1
	00367	• VALVE, 2 Way-2 Position, spool, 12 VDC, 2 leads	1
	00493	• VALVE, 2 Way-2 Position, spool, 24 VDC, grounded coil	1
	00383	• VALVE, 2 Way-2 Position, spool, 24 VDC, 2 leads	1
	FOR FURTHER BREAKDOWN OF VALVE, SEE VALVE SECTION		
67	00496	•• COIL, 12 VDC, 2 Way-2 Position, grounded coil	1
	00089	•• COIL, 12 VDC, 2 Way-2 Position, 2 leads	1
	00497	•• COIL, 24 VDC, 2 Way-2 Position, grounded coil	1
	00093	•• COIL, 24 VDC, 2 Way-2 Position, 2 leads	1
68	00368	•• CARTRIDGE, 2 Way - 2 Position, spool valve, 12 VDC & 24 VDC	1
69	00121	••• PARTS KIT, 2 Way - 2 Position, cartridge valve	1
70	02349	• PLUG, Pipe, flush 3/8 NPT	1
71	00061	• PISTON ASSEMBLY, Pilot Check	1
72	00122	• O-RING, Industrial (3/8" x 9/16" x 3/32")	1
73	00488	• VALVE, 2 Way-2 Position, 12 VDC, grounded coil	2
	00094	• VALVE, 2 Way-2 Position, 12 VDC, 2 leads	2
	00491	• VALVE, 2 Way-2 Position, 24 VDC, grounded coil	2
	00092	• VALVE, 2 Way-2 Position, 24 VDC, 2 leads	2
74	00496	•• COIL, 12 VDC, 2 Way-2 Position, grounded coil	3
	00089	•• COIL, 12 VDC, 2 Way-2 Position, 2 leads	3
	00497	•• COIL, 24 VDC, 2 Way-2 Position, grounded coil	3
	00093	•• COIL, 24 VDC, 2 Way-2 Position, 2 leads	3
75	00262	•• CARTRIDGE, 2 Way - 2 Position, poppet valve 12 VDC & 24 VDC	3
76	00121	••• PARTS KIT, 2 Way - 2 Position, cartridge valve	3
77	03641	• PARTS KIT, Valve, Cross-Over Relief (for use with valve assemblies 00515, 00838, 00517, & 01017)	2
78	03694	• PARTS KIT, Cross-Over Relief Valve (Seals)	2
79	03624	• PARTS KIT, Valve Assembly, poppet/ball check	2
	FOR FURTHER BREAKDOWN OF VALVE, SEE VALVE SECTION		



U.S.A.:
MONARCH HYDRAULICS, INC.
 P.O. Box 1764, Grand Rapids, Michigan 49501-1764, U.S.A.
 Telephone: (616) 458-1306
 Telefax: (616) 458-1616
<http://www.monarchhyd.com>

Form No. 2179-01

CANADA:
FLUID-PACK INTERNATIONAL LIMITED
 A Part of the Monarch Hydraulics Group
 460 Newbold St., London, Ontario, Canada N6E 1K3
 Telephone: (519) 686-5900
 Telefax: (519) 686-8976

Back to TOC

Litho in U.S.A.