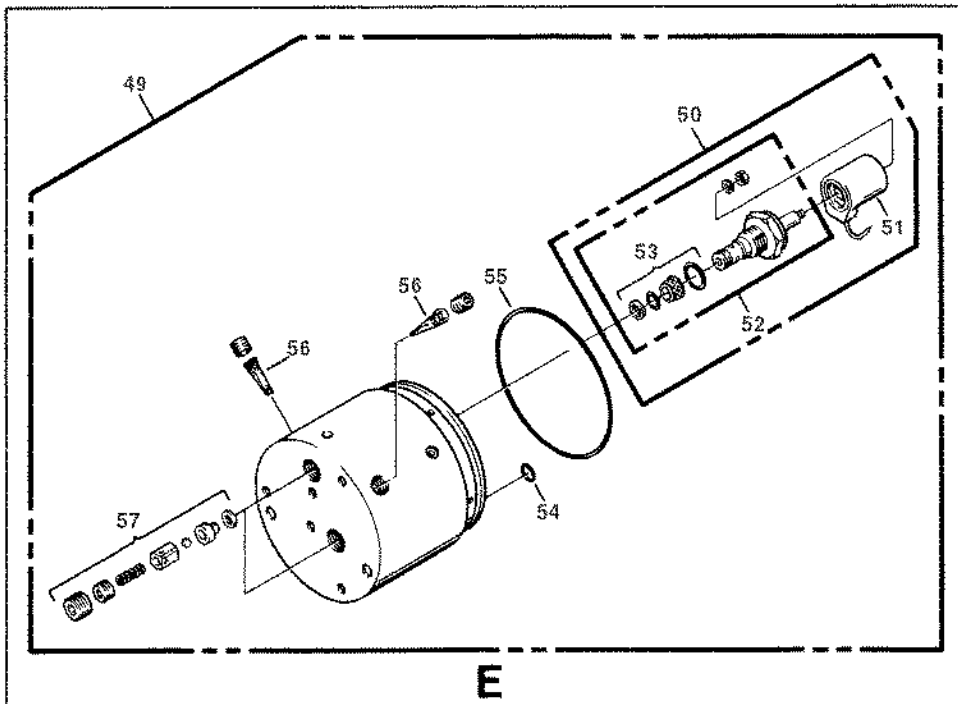
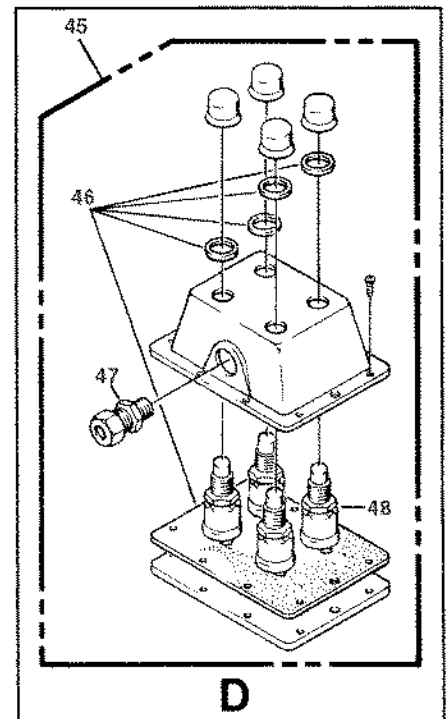
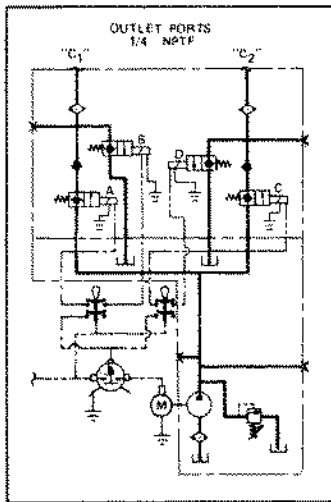
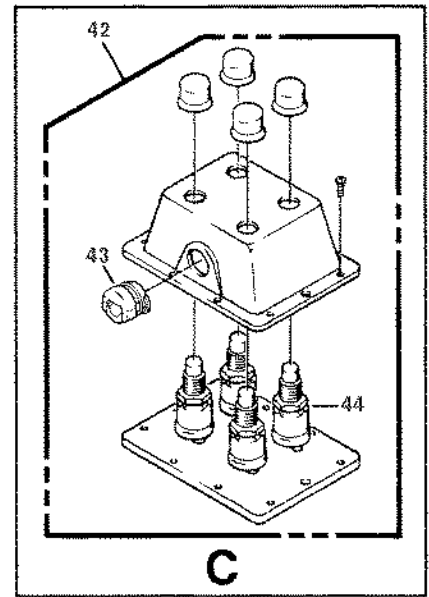
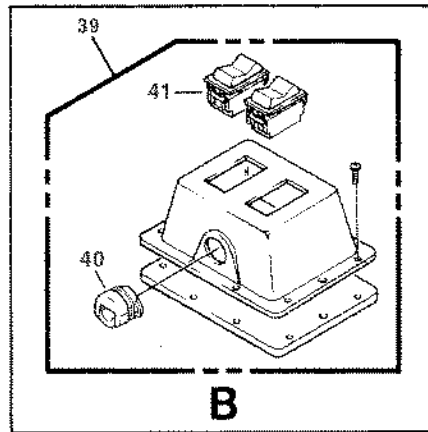
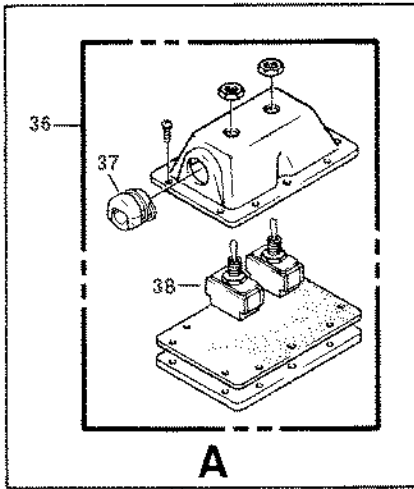


M-647

Ref. No.	Part No.	Description	No. Req.
1	03742	CORD, Harness, 72" 16-6, valve grounded (toggle & rocker)	1
	03479	CORD, Harness, 72" 16-6, switches grounded (toggle & rocker)	1
	03739	CORD, Harness, 72" 16-6, valve grounded (push button)	1
	03283	CORD, Harness, 72" 16-6, switches grounded (push button)	1
2	01349	STRAP, Motor-Solenoid Connecting	1
3	17071	SCREW, Round Head Machine 10-32 x 5/16"	2
4	03414	TERMINAL, Male Tab, 1/4" slip-on	1
5	03427	SWITCH, Solenoid, 12 VDC, 3 post	1
	03481	SWITCH, Solenoid, 12 VDC, 3 post (weather proof)	1
	03336	SWITCH, Solenoid, 12 VDC, 3 post	1
	03340	SWITCH, Solenoid, 12 VDC, 3 post (weather proof)	1
	03335	SWITCH, Solenoid, 12 VDC, 4 post	1
	03342	SWITCH, Solenoid, 12 VDC, 4 post (weather proof)	1
	03467	SWITCH, Solenoid, 24 VDC, 3 post	1
	03652	SWITCH, Solenoid, 24 VDC, 3 post (weather proof)	1
	03343	SWITCH, Solenoid, 24 VDC, 3 post	1
	03344	SWITCH, Solenoid, 24 VDC, 3 post, (weather proof)	1
6	01433	FITTING, Strain Relief, slotted	1
7	08111	MOTOR, Electric, 12 VDC	1
	08112	MOTOR, Electric, 12 VDC	1
	08120	MOTOR, Electric, 24 VDC	1
8	02318	• BEARING, Base, motor	1
9	07625	• NUT, Hex 5/16-24	1
10	07781	• WASHER, Lock 5/16"	1
11	07737	• WASHER, Star 1/4"	4
12	07795	• WASHER, Lock 1/4"	2
13	07738	• SCREW, Hex Head Cap 1/4-20 x 6-1/2"	2
		FOR FURTHER BREAKDOWN OF MOTOR, SEE MOTOR SECTION	
14	12471	BASE ASSEMBLY, Modular	1
15	02159	• SEAL	1
16	03766	• PARTS KIT, Relief Valve	1
17	02352	• O-RING, Industrial (3-5/8" x 3-7/8" x 1/8")	1
18	00120	• O-Ring, Industrial (1/2" x 5/8" x 1/16")	1
19	00122	• O-RING, Industrial (3/8" x 9/16" x 3/32")	1
20	K12171-150	PUMP ASSEMBLY, Modular	1
	K12171-200	PUMP ASSEMBLY, Modular	1
	K12171-250	PUMP ASSEMBLY, Modular	1

Ref. No.	Part No.	Description	No. Req.
	K12171-270	PUMP ASSEMBLY, Modular	1
	K12171-330	PUMP ASSEMBLY, Modular	1
	K12171-380	PUMP ASSEMBLY, Modular	1
	K12171-510	PUMP ASSEMBLY, Modular	1
21	07819	• SCREW, 1/4-20 x 2 3/4 Socket Head Cap (For Pump Assembly -150 & -200)	4
	07818	• SCREW, 1/4-20 x 3 Socket Head Cap (For Pump Assembly -250, -270, -330, -380)	4
	07837	• SCREW, 1/4-20 x 3 1/4 Socket Head Cap (For Pump Assembly -510)	4
22	06703	RESERVOIR, 4-1/2" Dia. x 8", 60 cu. in. usable	1
	06704	RESERVOIR, 4-1/2" Dia. x 10", 85 cu. in. usable	1
	06877	RESERVOIR, 4-1/2" Dia. x 12", 111 cu. in. usable	1
23	07703	SCREW, Thread Forming 10-24 3/8"	12
24	01143	PLUG, Vent (plastic)	1
25	01450-08.31	TUBE, Pressure, in-line internal (for 06703 reservoir)	1
	01450-10.31	TUBE, Pressure, in-line internal (for 06704 reservoir)	1
	01450-12.31	TUBE, Pressure, in-line internal (for 06877 reservoir)	1
	01450-13.19	TUBE, Pressure, in-line internal (for 06760 reservoir)	1
	01450-15.19	TUBE, Pressure, in-line internal (for 06761 reservoir)	1
	01450-18.19	TUBE, Pressure, in-line internal (for 06763 reservoir)	1
26	01339	TERMINAL, Closed End, connector (small)	1
27	01338	TERMINAL, Closed End, connector (large)	1
28	01134	SCREEN, Filter (suction)	1
29	01209	TUBE, Filter Suction 3/8 NPT 90 Deg. (plastic)	1
30	06760	RESERVOIR, 5" x 5" x 10", 172 cu. in. usable	1
	06761	RESERVOIR, 5" x 5" x 12", 209 cu. in. usable	1
	06763	RESERVOIR, 5" x 5" x 15", 265 cu. in. usable	1
31	02238	BRACKET, Mounting	1
32	07717	SCREW, Hex Head, thread forming 1/4-20 x 1-3/8"	2
33	01329	ADAPTER, Pump Mounting Bracket	1
34	04521	BRACKET ASSEMBLY, Mounting	1
35	07833	CLAMP, Hose (worm gear) #80 (2-11/16" to (5 1/2')	2



M-647

Ref. No.	Part No.	Description	No. Req.
36	03249	BOX ASSEMBLY, Toggle Switch	1
37	01414	• STRAINRELIEF, (plastic)	1
38	03393	• SWITCH, Toggle	2
39	03248	BOX ASSEMBLY, Rocker Switch	1
40	01414	• STRAINRELIEF, (plastic)	1
41	03396	• SWITCH, Rocker	1
42	03247	• BOX ASSEMBLY, Push Button	1
43	01414	• STRAINRELIEF, (plastic)	1
44	03345	• SWITCH, Push Button, 3 terminal	4
45	03525	BOX ASSEMBLY, Push Button (weather proof)	1
46	03693	• PARTS KIT, Gasket (weather proof)	1
47	01532	• STRAIN RELIEF (weather proof)	1
48	03369	• SWITCH, Push Button, 3-terminal (weather proof)	2
49	00512	VALVE ASSEMBLY COMPLETE, 12 VDC. 3 Way-3 Way, grounded coils	1
	00843	VALVE ASSEMBLY COMPLETE, 12 VDC, 3 Way-3 Way, 2 lead coils	1
	00513	VALVE ASSEMBLY COMPLETE, 24 VDC, 3 Way-3 Way, grounded coils	1

Ref. No.	Part No.	Description	No. Req.
	00846	VALVE ASSEMBLY COMPLETE, 24 VDC 3 Way-3 Way, 2 lead coils	1
50	00488	• VALVE, 2 Way-2 Position, 12 VDC, grounded coil	4
	00094	• VALVE, 2 Way-2 Position, 12 VDC, 2 leads	4
	00491	• VALVE, 2 Way-2 Position, 24 VDC, grounded coil	4
	00092	• VALVE, 2 Way-2 Position, 24 VDC, 2 leads	4
51	00496	• • COIL, 12 VDC, 2 Way-2 Position, grounded coil	4
	00089	• • COIL, 12 VDC, 2 Way-2 Position, 2 leads	4
	00497	• • COIL, 24 VDC, 2 Way-2 Position, grounded coil	4
	00093	• • COIL, 24 VDC, 2 Way-2 Position, 2 leads	4
52	00262	• • CARTRIDGE, 2 Way - 2 Position 12 VDC & 24 VDC	4
53	00121	• • • PARTS KIT, 2 Way - 2 Position, cartridge valve	4
54	00122	• O-RING, Industrial (3/8" x 9/16" x 3/32")	1
55	02352	• O-RING, Industrial (3-5/8" x 3-7/8" x 1/8")	1
56	01316	• FILTER, Screen Pressure Ports	2
57	03624	• PARTS KIT, Valve Assembly, poppet/ball check	2
FOR FURTHER BREAKDOWN OF VALVE, SEE VALVE SECTION			



U.S.A.:
MONARCH HYDRAULICS, INC.
 P.O. Box 1764, Grand Rapids, Michigan 49501-1764, U.S.A.
 Telephone: (616)458-1306
 Telefax: (616)458-1616
<http://www.monarchhyd.com>

Form No. 2178-01

CANADA:
FLUID-PACK INTERNATIONAL LIMITED
 A Part of the Monarch Hydraulics Group
 460 Newbold St., London, Ontario, Canada N6E 1K3
 Telephone: (519)686-5900
 Telefax: (519)686-8976

[Back to TOC](#)

Litho in U.S.A.