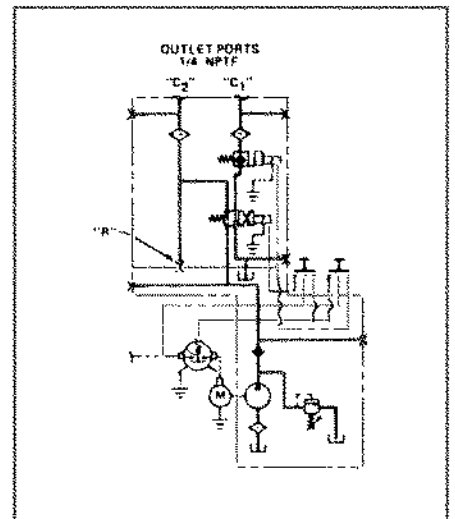
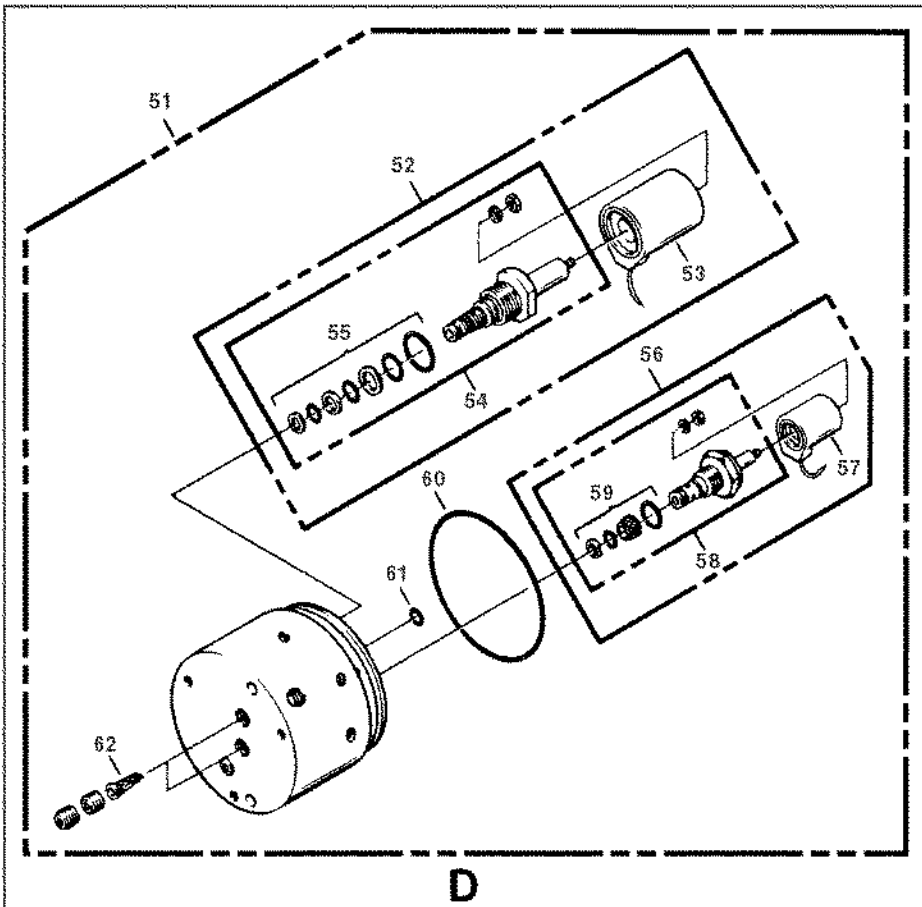
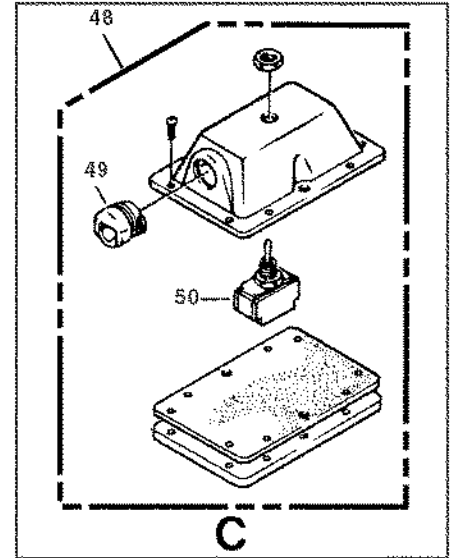
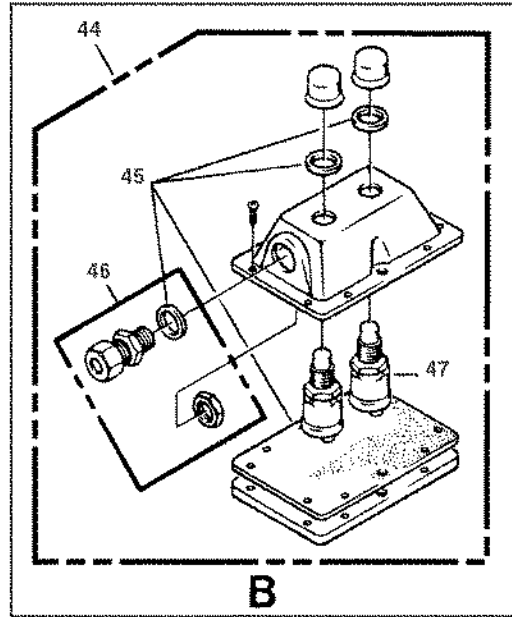
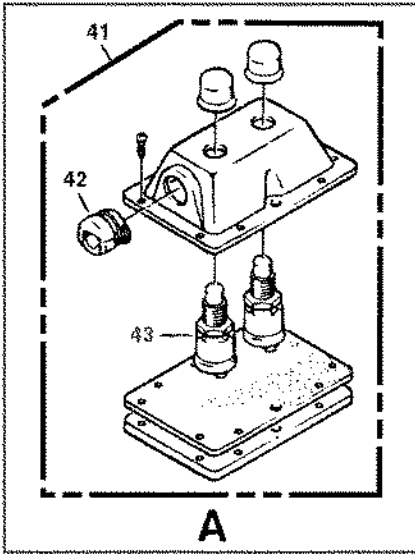


M-642

Ref. No.	Part No.	Description	No. Req.
1	03734	CORD, Harness, 72" 16-4, valve grounded (push button)	1
	03351	CORD, Harness, 72" 16-4, switchesgrounded (push button)	1
	03735	CORD, Harness, 72" 16-4, valve grounded (toggle & rocker)	1
	03490	CORD, Harness, 72" 16-4, switchesgrounded (toggle & rocker)	1
2	01349	STRAP, Motor-Solenoid Connecting	1
3	17071	SCREW, Round Head Machine, 10-32 x 5/16"	2
4	03414	TERMINAL, Male, 1/4" slip-on	1
5	03427	SWITCH, Solenoid, 12 VDC, 3 post	1
	03481	SWITCH, Solenoid, 12 VDC, 3 post (weather proof)	1
	03336	SWITCH, Solenoid, 12 VDC, 3 post	1
	03340	SWITCH, Solenoid, 12 VDC, 3 post (weather proof)	1
	03335	SWITCH, Solenoid, 12 VDC, 4 post	1
	03342	SWITCH, Solenoid, 12 VDC, 4 post (weather proof)	1
	03467	SWITCH, Solenoid, 24 VDC, 3 post	1
	03652	SWITCH, Solenoid, 24 VDC, 3 post (weather proof)	1
	03343	SWITCH, Solenoid, 24 VDC, 3 post	1
	03344	SWITCH, Solenoid, 24 VDC, 3 post, (weather proof)	1
6	01420	FITTING, Strain Relief, slotted	1
7	08111	MOTOR, Electric, 12 VDC	1
	08112	MOTOR, Electric, 12 VDC	1
	08120	MOTOR, Electric, 24 VDC	1
8	02318	• BEARING, Base, Motor	1
9	07625	• NUT, Hex 5/16-24	1
10	07781	• WASHER, Lock 5/16"	1
11	07737	• WASHER, Star 1/4"	4
12	07795	• WASHER, Lock 1/4"	2
13	07738	• SCREW, Hex Head Cap, 1/4-20 x 6-1/2"	2
		FOR FURTHER BREAKDOWN OF MOTOR, SEE MOTOR SECTION	
14	12484	BASE ASSEMBLY, Modular	1
15	02349	• PLUG, Pipe, 3/8 NPT	1
16	07526	• PARTS KIT, Valve Assembly, poppet/ball check	1
17	02159	• SEAL	1
18	03766	• PARTS KIT, Relief Valve	1
19	00122	• O-RING, Industrial (3/8" x 9/16" x 3/32")	1
20	02352	• O-RING, Industrial (3-5/8" x 3-7/8" x 1/8")	1
21	00120	• O-RING, Industrial (1/2" x 5/8" x 1/16")	1
22	K12171-150	PUMP ASSEMBLY, Modular	1

Ref. No.	Part No.	Description	No. Req.
	K12171-200	PUMP ASSEMBLY, Modular	1
	K12171-250	PUMP ASSEMBLY, Modular	1
	K12171-270	PUMP ASSEMBLY, Modular	1
	K12171-330	PUMP ASSEMBLY, Modular	1
	K12171-380	PUMP ASSEMBLY, Modular	1
	K12171-510	PUMP ASSEMBLY, Modular	1
23	07819	• SCREW, 1/4-20 x 2 3/4 Socket Head Cap (For Pump Assembly -150 & -200)	4
	07818	• SCREW, 1/4-20 x 3 Socket Head Cap (For Pump Assembly -250, -270, -330, -380)	4
	07837	• SCREW, 1/4-20 x 3 1/4 Socket Head Cap (For Pump Assembly -510)	4
24	06672	RESERVOIR, 4-1/2" Dia. x 8", 60 cu. in. (usable)	1
	06657	RESERVOIR, 4-1/2" Dia. x 10", 85 cu. in. (usable)	1
	06819	RESERVOIR, 4-1/2" Dia. x 12", 111 cu. in. (usable)	1
25	01143	PLUG, Vent (plastic)	1
26	07703	SCREW, Thread Forming 10-24 x 3/8"	12
27	01450-08.31	TUBE, Pressure, in-line internal (for 06672 reservoir)	1
	01450-10.31	TUBE, Pressure, in-line internal (for 06657 reservoir)	1
	01450-12.31	TUBE, Pressure, in-line internal (for 06819 reservoir)	1
	01450-13.19	TUBE, Pressure, in-line internal (for 06748 reservoir)	1
	01450-15.19	TUBE, Pressure, in-line internal (for 06749 reservoir)	1
	01450-18.19	TUBE, Pressure, in-line internal (for 06751 reservoir)	1
28	01339	TERMINAL, Closed End, connector (small)	2
29	01338	TERMINAL, Closed End, connector (large)	1
30	06748	RESERVOIR, 5" x 5" x 10", 172 cu. in. usable	1
	06749	RESERVOIR, 5" x 5" x 12", 209 cu. in. usable	1
	06751	RESERVOIR, 5" x 5" x 15", 265 cu. in. usable	1
31	01134	SCREEN, Filter (suction)	1
32	01209	TUBE, Filter Suction 3/8 NPT 90 Deg. (plastic)	1
33	13059	TUBE, Return (1/8 NPT)	1
34	02238	BRACKET, Mounting	1
35	01329	ADAPTER, Pump Mounting Bracket	1
36	07717	SCREW, Hex Head, thread forming 1/4-20 x 1-3/8"	2
37	04559	BRACKET, Plate Mount 5.00" C to C	1
	04560	BRACKET, Plate Mount 3.25" C to C	1
38	07592	SCREW, Socket Head Cap, 3/8-16 x 1	2
39	04521	BRACKET ASSEMBLY, Mounting	1
40	07833	CLAMP, Hose (worm gear) #80 (2-11/16" to 5-1/2")	2



M-642

Ref. No.	Part No.	Description	No. Req.
41	03404	BOX ASSEMBLY, Push Button	1
42	01418	• STRAIN RELIEF, (Plastic)	1
43	03345	• SWITCH, Push Button, 3-terminal	2
44	03453	BOX ASSEMBLY, Push Button (weather proof)	1
45	03690	• PARTS KIT, Gasket (weather proof)	1
46	03691	• PARTS KIT, Strain Relief (weather proof)	1
47	03369	• SWITCH, Push Button, 3-terminal (weather proof)	2
48	03487	BOX ASSEMBLY, Toggle Switch	1
49	01418	• STRAIN RELIEF, (Plastic)	1
50	03394	• SWITCH, Toggle	1
51	00514	VALVE ASSEMBLY COMPLETE, 12 VDC, 4-Way, grounded coils	1
	00839	VALVE ASSEMBLY COMPLETE, 12 VDC, 4-Way, 2 lead coils	1
	00509	VALVE ASSEMBLY COMPLETE, 24 VDC 4-Way, grounded coils	1
	00845	VALVE ASSEMBLY COMPLETE, 24 VDC, 4-Way, 2 lead coils	1
52	00494	• VALVE, 4 Way -2 Position, 12 VDC, grounded coil	1
	00095	• VALVE, 4 Way -2 Position, 12 VDC, 2 leads	1
	00495	• VALVE, 4 Way -2 Position, 24 VDC, grounded coil	1
	00974	• VALVE, 4 Way - 2 Position, 24 VDC, 2 leads	1
53	00499	•• COIL, 12 VDC, 4 Way - 2 Position, grounded coil	1
	00096	•• COIL, 12 VDC, 4 Way - 2 Position, 2 leads	1
	00498	•• COIL, 24 VDC, 4 Way - 2 Position, grounded coil	1
	00292	•• COIL, 24 VDC, 4 Way - 2 Position, 2 leads	1

Ref. No.	Part No.	Description	No. Req.
54	00266	•• CARTRIDGE, 4 Way - 2 Position, 12 VDC & 24 VDC	1
55	00112	••• PARTS KIT, 4 Way - 2 Position, cartridge valve	1
56	00488	• VALVE, 2 Way - 2 Position, 12 VDC, grounded coil	1
	00094	• VALVE, 2 Way -2 Position, 12 VDC, 2 leads	1
	00491	• VALVE, 2 Way -2 Position, 24 VDC, grounded coil	1
	00092	• VALVE, 2 Way - 2 Position, 24 VDC, 2 leads	1
57	00496	•• COIL, 12 VDC, 2 Way - 2 Position, grounded coil	1
	00089	•• COIL, 12 VDC, 2 Way - 2 Position, 2 leads	1
	00497	•• COIL, 24 VDC, 2 Way - 2 Position, grounded coil	1
	00093	•• COIL, 24 VDC, 2 Way - 2 Position, 2 leads	1
58	00262	•• CARTRIDGE, 2 Way - 2 Position 12 VDC & 24 VDC	1
59	00121	••• PARTS KIT, 2 Way - 2 Position, cartridge valve	1
60	02352	• O-RING, Industrial (3-5/8" x 3-7/8" x 1/8")	1
61	00122	• O-RING, Industrial (3/8" x 9/16" x 3/32")	1
62	01316	• FILTER, Screen Pressure Ports	2
FOR FURTHER BREAKDOWN OF VALVE, SEE VALVE SECTION			



U.S.A.:
MONARCH HYDRAULICS, INC.
 P.O. Box 1764, Grand Rapids, Michigan 49501-1764, U.S.A.
 Telephone: (616) 458-1306
 Telefax: (616) 458-1616
<http://www.monarchhyd.com>

Form No. 2175-01

CANADA:
FLUID-PACK INTERNATIONAL LIMITED
 A Part of the Monarch Hydraulics Group
 460 Newbold St., London, Ontario, Canada N6E 1K3
 Telephone: (519) 686-5900
 Telefax: (519) 686-8976

[Back to TOC](#)

Litho in U.S.A.