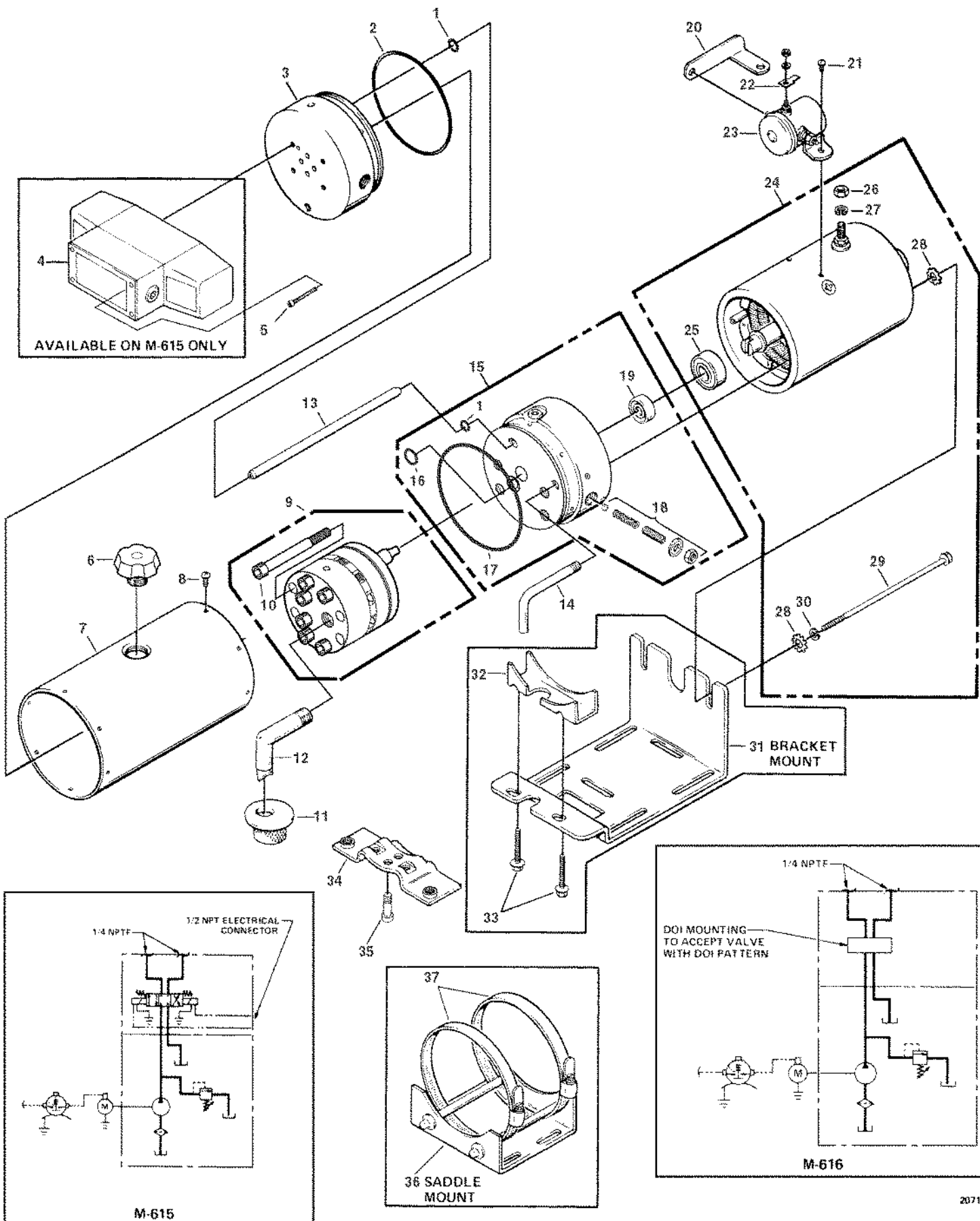




Dyna-Ramic® M-615 & M-616



M-615 & M-616

Ref. No.	Part No.	Description	No. Req.
1	00122	O-RING, Industrial (3/8" x 9/16" x 3/32")	2
2	02352	O-RING, Industrial (3-5/8" x 3-7/8" x 1/8")	1
3	01819	MANIFOLD, DO1, single station	1
4	00961	VALVE, Electric, 12 VDC, 4 way - 3 position, DO1, closed-center (M-615 only)	1
	00962	VALVE, Electric, 12 VDC, 4 way - 3 position, DO1, tandem-center (M-615 only)	1
	01040	VALVE, Electric, 12 VDC, 4 way - 3 position, DO1, p-closed, A & B to tank (M-615 only)	1
	00963	VALVE, Electric, 12 VDC, 4 way - 3 position, DO1, open-center (M-615 only)	1
	00964	VALVE, Electric, 24 VDC, 4 way - 3 position, DO1, closed-center (M-615 only)	1
	00965	VALVE, Electric, 24 VDC, 4 way - 3 position, DO1, tandem-center (M-615 only)	1
	01039	VALVE, Electric, 24 VDC, 4 way - 3 position, DO1, p-closed, A & B to tank (M-615 only)	1
	00966	VALVE, Electric, 24 VDC, 4 way - 3 position, DO1, open-center (M-615 only)	1
5	07776	SCREW, Socket Head Cap, 10-24 x 1 1/4	4
6	01143	PLUG, Vent (plastic)	1
7	06672	RESERVOIR, 4-1/2" x 8", 60 in ³ usable	1
	06657	RESERVOIR, 4-1/2" x 10", 85 in ³ usable	1
	06819	RESERVOIR, 4-1/2" x 12", 111 in ³ usable	1
8	07703	SCREW, Thread Forming 10-24 x 3/8"	1
9	K12171-150	PUMP ASSEMBLY, Modular	1
	K12171-200	PUMP ASSEMBLY, Modular	1
	K12171-250	PUMP ASSEMBLY, Modular	1
	K12171-270	PUMP ASSEMBLY, Modular	1
	K12171-330	PUMP ASSEMBLY, Modular	1
	K12171-380	PUMP ASSEMBLY, Modular	1
	K12171-510	PUMP ASSEMBLY, Modular	1
10	07819	• SCREW, 1/4-20 x 2 3/4 Socket Head Cap (For Pump Assembly -150 & -200)	4
	07818	• SCREW, 1/4-20 x 3 Socket Head Cap (For Pump Assembly -250, -270, -330, -380)	4
	07837	• SCREW, 1/4-20 x 3 1/4 Socket Head Cap (For Pump Assembly -510)	4
11	01134	SCREEN, Filter (suction)	1
12	01209	TUBE, Filter Suction 3/8 NPT 90 Deg. (plastic)	1
13	01450-08.31	TUBE, Pressure, in-line internal (for 06672 reservoir)	12
	01450-10.31	TUBE, Pressure, in-line internal (for 06657 reservoir)	1
	01450-12.31	TUBE, Pressure, in-line internal (for 06819 reservoir)	1
14	13059	TUBE, Return (1/8 NPT)	1
15	12409	BASE ASSEMBLY, Modular	1
16	00120	• O-Ring, Industrial (1/2" x 5/8" x 1/16")	1
17	02352	• O-Ring, Industrial (3-5/8" x 3-7/8" x 1/8")	1

Ref. No.	Part No.	Description	No. Req.
18	03766	• PARTS KIT, Relief Valve	1
19	02159	• SEAL	1
20	01349	STRAP, Motor-Solenoid Connecting	1
21	17071	SCREW, Round Head Machine, 10-32 x 5/16"	2
22	03414	TERMINAL, Male, 1/4" slip-on	1
23	03427	SWITCH, Solenoid, 12 VDC, 3 Post, grounded to can	1
	03481	SWITCH, Solenoid, 12 VDC, 3 Post (coated) grounded to can	1
	03336	SWITCH, Solenoid, 12 VDC, 3 Post insulated ground	1
	03340	SWITCH, Solenoid, 12 VDC, 3 Post (coated) insulated ground	1
	03335	SWITCH, Solenoid, 12 VDC, 4 Post isolated ground	1
	03342	SWITCH, Solenoid, 12 VDC, 4 Post (coated) isolated ground	1
	03467	SWITCH, Solenoid, 24 VDC, 3 Post grounded to can	1
	03652	SWITCH, Solenoid, 24 VDC, 3 Post (coated) grounded to can	1
	03343	SWITCH, Solenoid, 24 VDC, 3 Post insulated ground	1
	03344	SWITCH, Solenoid, 24 VDC, 3 Post, (coated) insulated ground	1
24	08111	MOTOR, Electric, 12 VDC	1
	08112	MOTOR, Electric, 12 VDC	1
	08120	MOTOR, Electric, 24 VDC	1
25	02318	• BEARING, Base, motor	1
26	07625	• NUT, Hex 5/16-24	1
27	07781	• WASHER, Lock 5/16"	1
28	07737	• WASHER, Star 1/4"	4
29	07738	• SCREW, Hex Head Cap 1/4-20 x 6-1/2"	2
30	07795	• WASHER, Lock 1/4"	2
FOR FURTHER BREAKDOWN OF MOTOR, SEE MOTOR SECTION			
31	02238	BRACKET, Mounting	1
32	01329	ADAPTER, Pump Mounting Bracket	1
33	07717	SCREW, Hex Head, thread forming 1/4-20 x 1-3/8"	2
34	04559	BRACKET, Plate Mount 5.00" C to C	1
	04560	BRACKET, Plate Mount 3.25" C to C	1
35	07592	SCREW, Socket Head Cap, 3/8-16 x 1	2
36	04521	BRACKET, Assembly, mounting	1
37	07833	CLAMP, Hose (worm gear) #80 (2-11/16" to 5-1/2")	2



U.S.A.:
MONARCH HYDRAULICS, INC.
 P.O. Box 1764, Grand Rapids, Michigan 49501-1764, U.S.A.
 Telephone: (616) 458-1306
 Telefax: (616) 458-1616
<http://www.monarchhyd.com>

CANADA:
FLUID-PACK INTERNATIONAL LIMITED
 A Part of the Monarch Hydraulics Group
 460 Newbold St., London, Ontario, Canada N6E 1K3
 Telephone: (519) 686-5900
 Telefax: (519) 686-8976