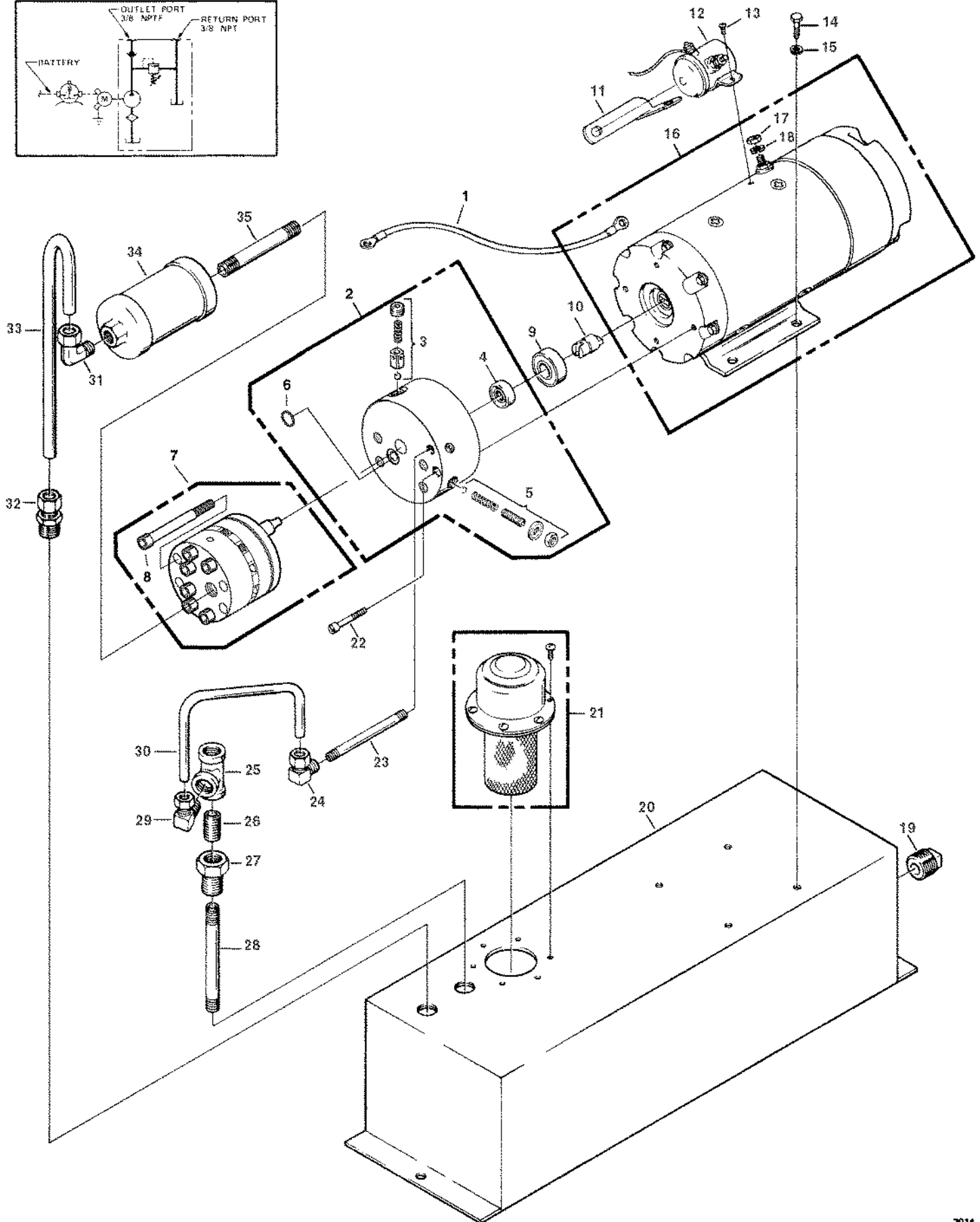
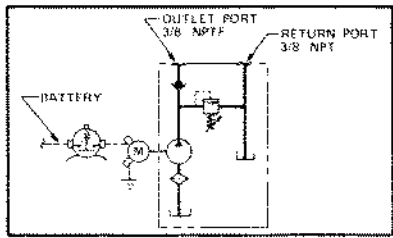




Dyna-Might® M-575



M-575

Ref. No.	Part No.	Description	No. Req.
1	01356	CABLE, Insulated With Lugs 18" Long	1
2	12445	BASE ASSEMBLY, Modular	
3	07526	• PARTS KIT, Check Valve (main)	1
4	02159	• SEAL	1
5	03766	• PARTS KIT, Relief Valve	1
6	00120	• O-RING, Industrial (1/2" x 5/8" x 1/16")	1
7	K12173-150	PUMP ASSEMBLY, Modular	1
	K12173-200	PUMP ASSEMBLY, Modular	1
	K12173-250	PUMP ASSEMBLY, Modular	1
	K12173-270	PUMP ASSEMBLY, Modular	1
	K12173-330	PUMP ASSEMBLY, Modular	1
	K12173-380	PUMP ASSEMBLY, Modular	1
	K12173-510	PUMP ASSEMBLY, Modular	1
8	07819	• SCREW, 1/4-20 x 2 3/4 Socket Head Cap (For Pump Assembly -150 & -200)	4
	07818	• SCREW, 1/4-20 x 3 Socket Head Cap (For Pump Assembly -250, -270, -330, -380)	4
	07837	• SCREW, 1/4-20 x 3 1/4 Socket Head Cap (For Pump Assembly -510)	4
		FOR FURTHER BREAKDOWN OF PUMP ASSEMBLY, SEE PUMP SECTION	
9	02318	BEARING, Base, motor	1
10	01330	SHAFT, Jack (For Motor 08105 & 08106)	1
11	01349	STRAP, Motor-Solenoid Connecting	1
12	03471	SWITCH, Solenoid, 12 VDC (with lead wire) insulated ground	1
	03648	SWITCH, Solenoid, 24 VDC (with lead wire) insulated ground	1
13	17071	SCREW, Round Head Machine 10-32 x 5/16"	2
14	07767	SCREW, Hex Head Cap 5/16-18 x 3/4"	4
15	07781	WASHER, Lock 5/16"	4
16	08105	MOTOR, Electric, 12 VDC	1
	08106	MOTOR, Electric, 24 VDC	1
	08066	MOTOR, 5.5"	1

Ref. No.	Part No.	Description	No. Req.
17	07646	• NUT, Hex 3/8-16	2
18	07783	• WASHER, Lock 3/8"	2
19	01075	PLUG, Steel (3/4 NPT)	1
20	06711	RESERVOIR, 6" x 7" x 21", 606 in ³ usable	1
	06712	RESERVOIR, 10" x 7" x 21", 1194 in ³ usable	1
21	01425	FILTER, Breather Cap	1
22	07763	SCREW, Socket Head Cap 1/4-20 x 1-1/4"	2
23	01208	NIPPLE, 1/8 NPT x 4" Long	1
24	01224	ELBOW ASSEMBLY, 90 Deg. Brass, 3/8" tube x 1/8 NPT female	1
25	01105	TEE, 3/8"	1
26	01118	NIPPLE, 3/8 NPT x Close	1
27	01229	ADAPTER, Reservoir Return	1
28	01115	NIPPLE, 1/4 NPT x 4-1/2" (Use With 6711 Reservoir)	1
	01116	NIPPLE, 1/4 NPT x 6" (Use With 6712 Reservoir)	1
29	01123	ELBOW ASSEMBLY, 90 Deg. Brass 3/8" Tube x 3/8 NPT	1
30	01273	TUBE, Return	1
31	01198	ELBOW ASSEMBLY, 90 Deg. Brass 1/2" Tube x 1/2 NPT	1
32	01230	CONNECTOR ASSEMBLY, Brass 1/2" Tube x 1/2 NPT	1
33	01314	TUBE, Suction 1/2"	1
34	01427	FILTER, Low Pressure, inline	1
35	01210	NIPPLE, 3/8 NPT x 3-1/2" Long	1



U.S.A.:
MONARCH HYDRAULICS, INC.
 P.O. Box 1764, Grand Rapids, Michigan 49501-1764, U.S.A.
 Telephone: (616) 458-1306
 Telefax: (616) 458-1616
<http://www.monarchhyd.com>
 Form No. 2169-01

CANADA:
FLUID-PACK INTERNATIONAL LIMITED
 A Part of the Monarch Hydraulics Group
 460 Newbold St., London, Ontario, Canada N6E 1K3
 Telephone: (519) 686-5900
 Telefax: (519) 686-8976

[Back to TOC](#)

Litho in U.S.A.