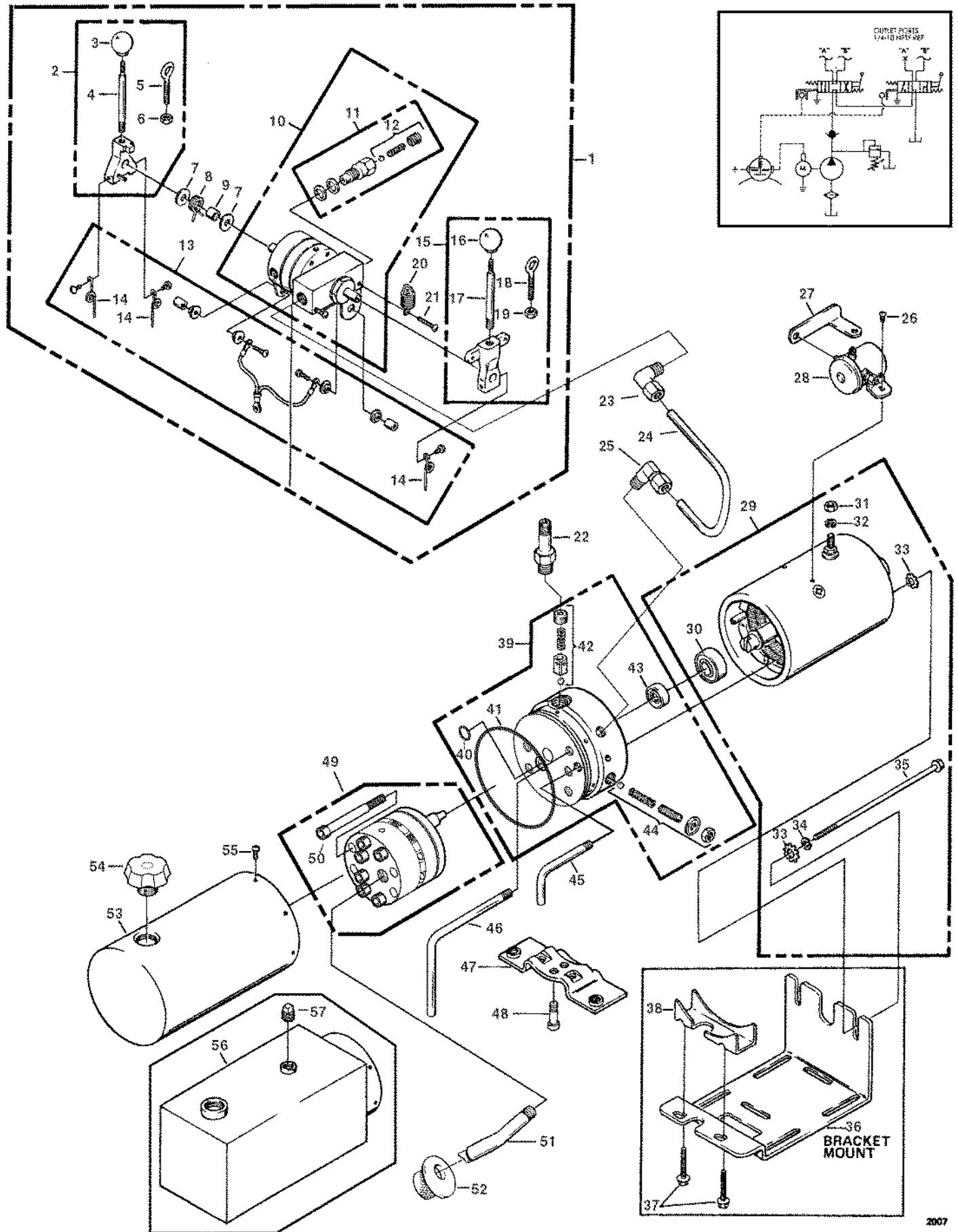




Dyna-Might® M-500, 4Way/3Way



M-500, 4 Way, 3 Way

Ref. No.	Part No.	Description	No. Req.
1	00886	VALVE ASSEMBLY COMPLETE, 4 Way/3 Way	1
2	00172	• PARTS KIT, Handle Assembly	1
3	01157	• • BALL, Plastic	1
4	01326	• • ROD, Handle 4"	1
5	01327	• • EYEBOLT, Rod Control 5/16-18 x 1-7/8"	1
6	07790	• • NUT, 5/16-18	1
7	07780	• WASHER, Special 5/16"	2
8	00018	• SPRING, Torsion	1
9	00016	• BUSHING, Torsion Spring	1
10	01052	• VALVE ASSEMBLY	1
11	00010	• • VALVE, Check Assembly Complete	1
12	00078	• • • PARTS KIT, Check Valve (descending)	1
13	03671	• PARTS KIT, Electrical	1
14	00015	• • SPRING, Contact Finger	3
15	00170	• HANDLE ASSEMBLY, Extension	1
16	01157	• • BALL, PLastic	1
17	01326	• • ROD, Handle 4"	1
18	01327	• • EYEBOLT, Rod Control 5/16-18 x 1-7/8"	1
19	07790	• • NUT, 5/16-18	1
20	00019	• SPRING, Extension	2
21	07750	• SCREW, Round Head Machine 10-32 x 1"	2
FOR FURTHER BREAKDOWN OF VALVE, SEE VALVE SECTION			
22	01318	ADAPTER, Pump/Valve 2-1/2" Long	1
23	01123	ELBOW, Assembly	1
24	13067	TUBE, Return	1
25	01225	ELBOW, Assembly	1
26	17071	SCREW, Round Head Machine 10-32 x 5/16"	2
27	01349	STRAP, Motor-Solenoid Connecting	1
28	03336	SWITCH, Solenoid, 12 VDC 3-post insulated ground	1
	03340	SWITCH, Solenoid, 12 VDC 3-post (coated) insulated ground	1
	03335	SWITCH, Solenoid, 12 VDC 4-post isolated ground	1
	03342	SWITCH, Solenoid, 12 VDC 4-post (coated) isolated ground	1
	03343	SWITCH, Solenoid, 24 VDC 3-post insulated ground	1
	03344	SWITCH, Solenoid, 24 VDC 3-post (coated) insulated ground	1
29	08111	MOTOR, Electric, 12 VDC	1
	08112	MOTOR, Electric, 12 VDC	1
	08120	MOTOR, Electric, 24 VDC	1
30	02318	• BEARING, Base, motor	1
31	07625	• NUT, Hex 5/16-24	1
32	07781	• WASHER, Lock 5/16"	1
33	07737	• WASHER, Star 1/4"	4
34	07795	• WASHER, Lock 1/4"	2
35	07738	• SCREW, Hex Head Cap 1/4-20 x 6-1/2"	2
FOR FURTHER BREAKDOWN OF MOTOR, SEE MOTOR SECTION			

Ref. No.	Part No.	Description	No. Req.
36	02238	BRACKET, Mounting	1
37	07717	SCREW, Hex Head, Thread forming 1/4-20 x 1-3/8"	1
38	01329	ADAPTER, Pump Mounting Bracket	1
39	12389	BASE ASSEMBLY, Modular	1
40	00120	• O-RING, Industrial (1/2" x 5/8" x 1/16")	1
41	02352	• O-RING, Industrial (3-5/8 x 3-7/8 x 1/8)	1
42	07526	• PARTS KIT, Check Valve (main)	1
43	02159	• SEAL	1
44	03766	• PARTS KIT, Relief Valve	1
45	13059	TUBE, Return (1/8 NPT)	1
46	13058	TUBE, Return (1/8 NPT)	1
47	04559	BRACKET, Plate Mount 5.00" C to C	1
	04560	BRACKET, Plate Mount 3.25" C to C	1
48	07592	SCREW, Socket Head Cap, 3/8-16 x 1	2
49	K12171-150	PUMP ASSEMBLY, Modular	1
	K12171-200	PUMP ASSEMBLY, Modular	1
	K12171-250	PUMP ASSEMBLY, Modular	1
	K12171-270	PUMP ASSEMBLY, Modular	1
	K12171-330	PUMP ASSEMBLY, Modular	1
	K12171-380	PUMP ASSEMBLY, Modular	1
	K12171-510	PUMP ASSEMBLY, Modular	1
50	07819	• SCREW, 1/4-20 x 2 3/4 Socket Head Cap (For Pump Assembly -150 & -200)	4
	07818	• SCREW, 1/4-20 x 3 Socket Head Cap (For Pump Assembly -250, -270, -330, -380)	4
	07837	• SCREW, 1/4-20 x 3 1/4 Socket Head Cap (For Pump Assembly -510)	4
51	01209	TUBE, Filter Suction 3/8 NPT 90 Deg.	1
52	01134	SCREEN, Filter (suction)	1
53	14076	RESERVOIR, 4-1/2" Dia. x 8", 76 in ³ usable	1
	14070	RESERVOIR, 4-1/2" Dia. x 10", 102 in ³ usable	1
	14071	RESERVOIR, 4-1/2" Dia. x 12", 127 in ³ usable	1
54	01143	PLUG, Vent (plastic)	1
55	07703	SCREW, Thread Forming 10-24 x 3/8"	6
56	06678	RESERVOIR, 5" x 5" x 10", 211 in ³ usable	1
	06685	RESERVOIR, 5" x 5" x 12", 249 in ³ usable	1
	06686	RESERVOIR, 5" x 5" x 15", 306 in ³ usable	1
57	01108	PLUG, Square Head, 1/4 NPT	1



U.S.A.:
MONARCH HYDRAULICS, INC.
 P.O. Box 1764, Grand Rapids, Michigan 49501-1764, U.S.A.
 Telephone: (616) 458-1306
 Telefax: (616) 458-1616
<http://www.monarchhyd.com>
 Form No. 2164-01

CANADA:
FLUID-PACK INTERNATIONAL LIMITED
 A Part of the Monarch Hydraulics Group
 460 Newbold St., London, Ontario, Canada N6E 1K3
 Telephone: (519) 686-5900
 Telefax: (519) 686-8976

[Back to TOC](#)

Litho in U.S.A.