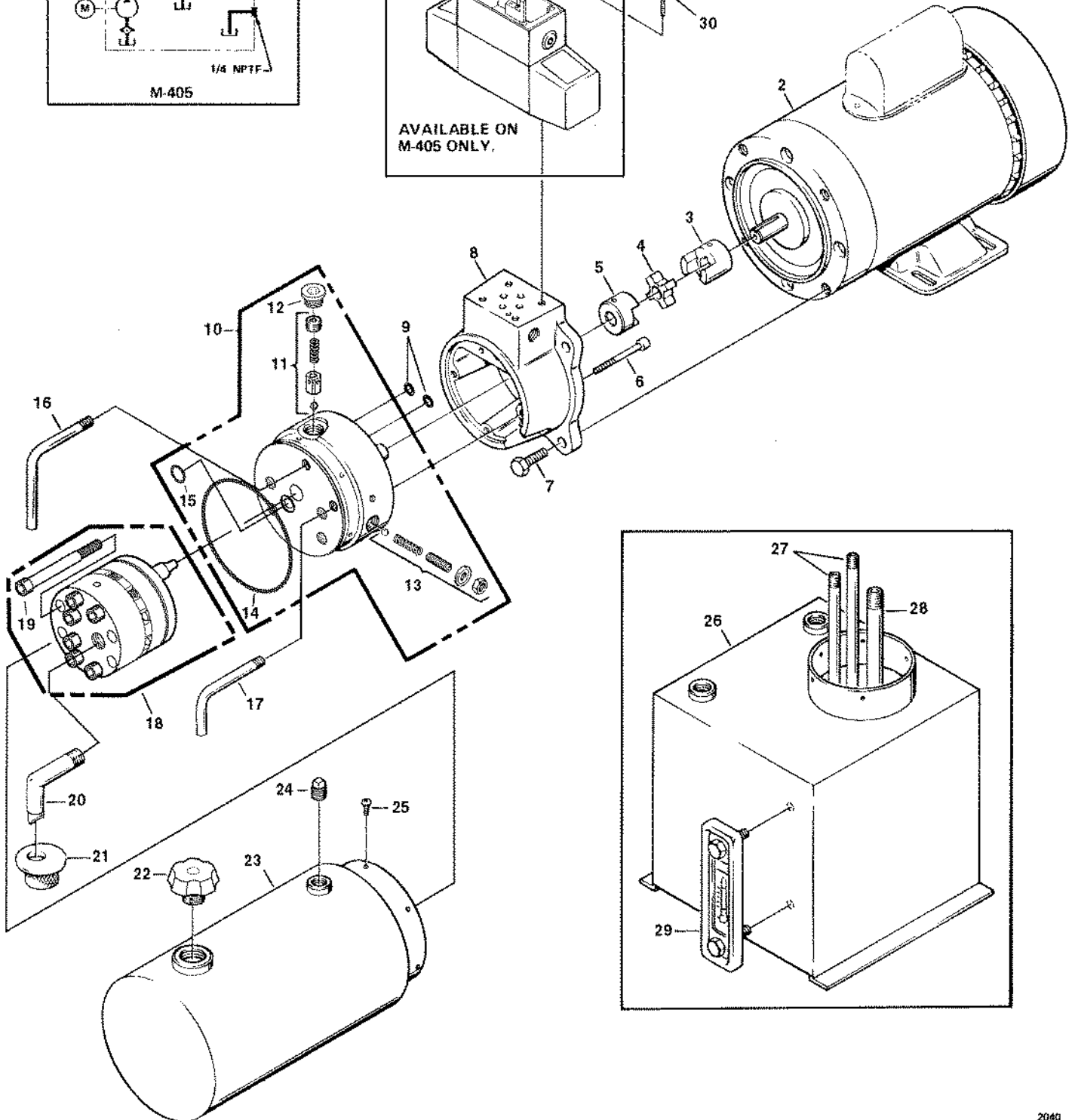
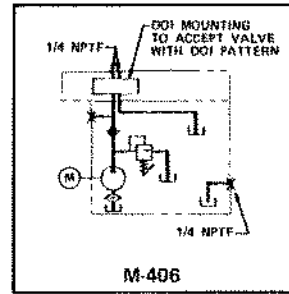
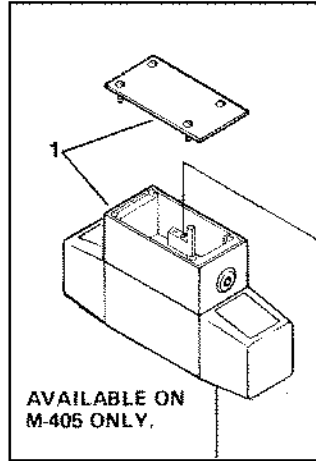
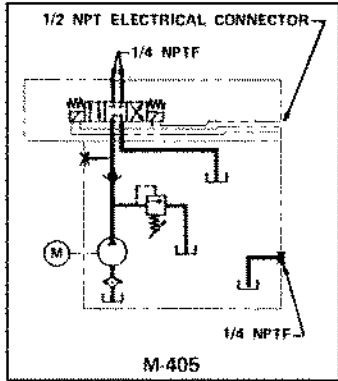




Dyna-Pack® M-405 & 406



M-405 & M-406

Ref. No.	Part No.	Description	No. Req.
1	00970	VALVE, 4 Way -3 Position, T.C., 110 VAC double solenoid (M-405 only)	1
	00969	VALVE, 4 Way-3 Position, "P" closed, "A & B" to "T", 110 VAC double solenoid (M-405 only)	1
	00968	VALVE, 4 Way - 3 Position, C.C., 110 VAC double solenoid (M-405 only)	1
	00967	VALVE, 4 Way - 3 Position, O.C., 110 VAC double solenoid (M-405 only)	1
2	*****	MOTOR, Electric, 5/8" shaft, AC (consult factory)	1
3	01139	COUPLING,5/8"Bore 3/16"Keyway (motor side)	1
4	01141	COUPLINGSPIDER	1
5	18001	COUPLING,7/16" Bore	1
6	07745	SCREW, Socket Head Cap 1/4-20 x 2" (use with 01607 housing)	4
	07818	SCREW, Socket Head Cap 1/4-20 x 3" (use with 01617 housing)	4
7	07817	SCREW, Hex Head Cap 3/8-16 x 7/8"	4
8	01607	HOUSING, Pump/Motor Adapter(2-5/32" long)	1
	01617	HOUSING, Pump/Motor Adapter(3-11/32" long)	1
9	00117	O-RING, (3/8" x 1/2" x 1/16") -012	2
10	12466	BASE ASSEMBLY, Modular	1
11	07526	• PARTS KIT, Check Valve (main)	1
12	03276	• PLUG, #8 SAE (3/4-16)	1
13	03766	• PARTS KIT, Relief Valve	1
14	02352	• O-RING, Industrial (3-5/8" x 3-7/8" x 1/8")	1
15	00120	• O-RING, Industrial (1/2" x 5/8" x 1/16")	1
16	13058	TUBE, Valve Return (1/8 NPT)	1
17	13059	TUBE, Return (1/8 NPT)	1

Ref. No.	Part No.	Description	No. Req.
18	K12172-150	PUMP ASSEMBLY, Modular	1
	K12172-200	PUMP ASSEMBLY, Modular	1
	K12172-250	PUMP ASSEMBLY, Modular	1
	K12172-270	PUMP ASSEMBLY, Modular	1
	K12172-330	PUMP ASSEMBLY, Modular	1
	K12172-380	PUMP ASSEMBLY, Modular	1
	K12172-510	PUMP ASSEMBLY, Modular	1
19	07819	• SCREW, 1/4-20 x 2 3/4 Socket Head Cap (For Pump Assembly -150 & -200)	4
	07818	• SCREW, 1/4-20 x 3 Socket Head Cap (For Pump Assembly -250, -270, -330, -380)	4
	07837	• SCREW, 1/4-20 x 3 1/4 Socket Head Cap (For Pump Assembly -510)	4
20	01209	TUBE, Filter, suction 3/8 NPT 90 deg	1
21	01134	SCREEN, Filter (suction)	1
22	01143	PLUG, Vent (plastic)	1
23	06878	RESERVOIR, 6" Dia. x 9", 217 in ³ usable	1
	06879	RESERVOIR, 6" Dia. x 13-1/2", 301 in ³ usable	1
	06880	RESERVOIR, 6" Dia. x 18", 433 in ³ usable	1
24	01108	PLUG, Square Head, 1/4 NPT	1
25	07703	SCREW, Thread Forming 10-24 x 3/8"	6
26	06881	RESERVOIR, 10" x 10" x 10", 693 in ³ usable	1
	06882	RESERVOIR, 10" x 12" x 12", 1155 in ³ usable	1
	06883	RESERVOIR, 10" x 14" x 14", 1386 in ³ usable	1
27	01479.10.00	TUBE, Return, (1/8 NPT)	2
28	01459-07.75	TUBE, Filter Suction 3/8 NPT (plastic)	1
29	01436	GAUGE, Sight-Temperature	1
30	07776	SCREW, Socket Head Cap, 10-24 x 1-1/4	4



U.S.A.:
MONARCH HYDRAULICS, INC.
 P.O. Box 1764, Grand Rapids, Michigan 49501-1764, U.S.A.
 Telephone: (616) 458-1306
 Telefax: (616) 458-1616
<http://www.monarchhyd.com>

Form No. 2240-01

CANADA:
FLUID-PACK INTERNATIONAL LIMITED
 A Part of the Monarch Hydraulics Group
 460 Newbold St., London, Ontario, Canada N6E 1K3
 Telephone: (519) 686-5900
 Telefax: (519) 686-8976

[Back to TOC](#)

Litho in U.S.A.