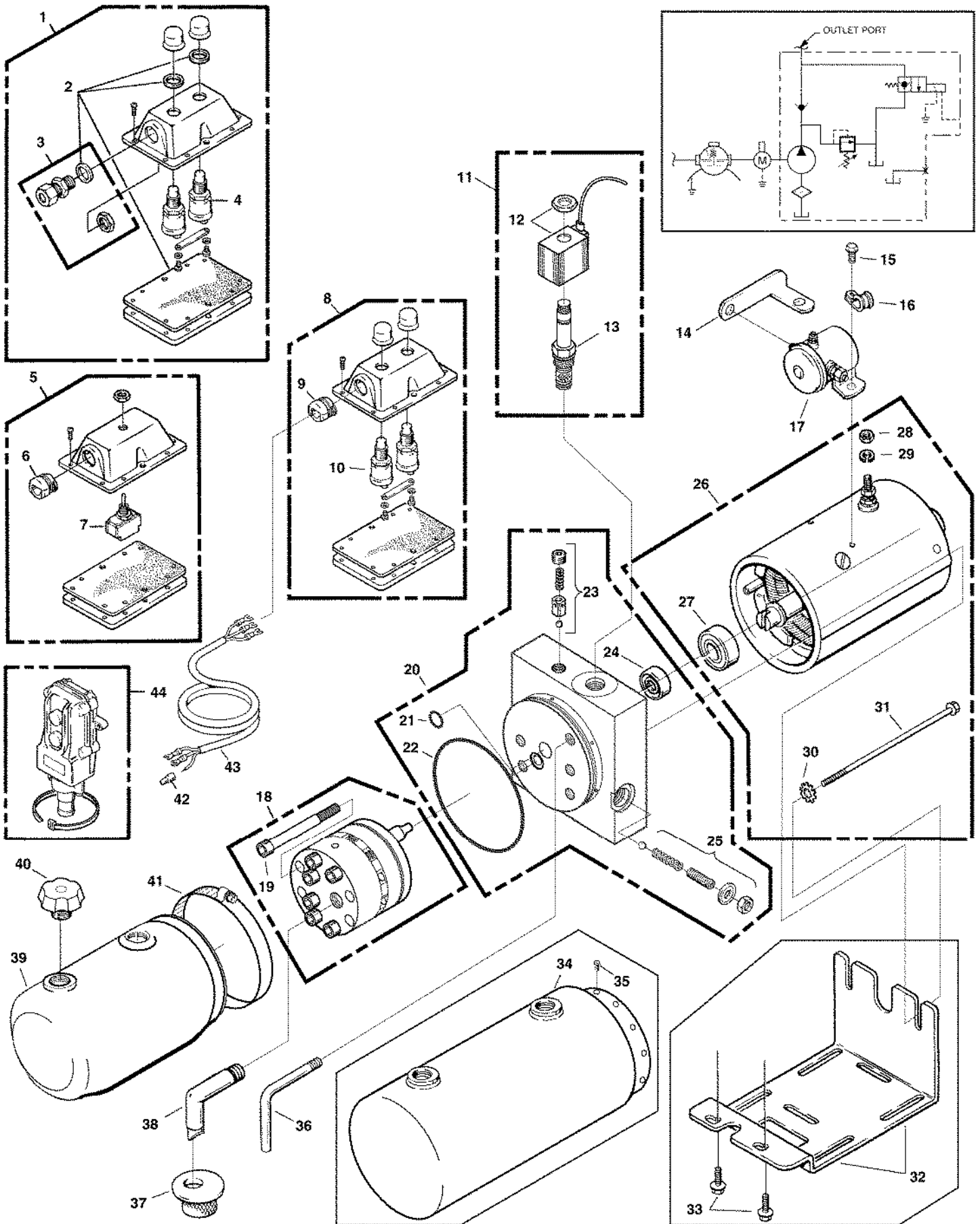




# Dyna-Jack® M-3519



**M-3519**

Ref. No.	Part No.	Description	No. Req.
1	03406	BOX ASSEMBLY, Push Button (weather proof)	1
2	03690	• PARTS KIT, Gasket's (weather proof)	1
3	03691	• PARTS KIT, Strain Relief (weather proof)	1
4	03368	• SWITCH, Push Button, 2-terminal (weather proof)	2
5	03409	BOX ASSEMBLY, Toggle Switch	1
6	01418	• STRAIN RELIEF (Plastic)	1
7	03393	• SWITCH, Toggle	1
8	03317	BOX ASSEMBLY, Push Button	1
9	01418	• STRAIN RELIEF (Plastic)	1
10	03313	• SWITCH, Push Button, 2-terminal	2
11	00707	VALVE, 2 Way - 2 Position, 12 VDC, grounded	1
	07236	VALVE, 2 Way - 2 Position, 12 VDC, 2 leads	1
	07158	VALVE, 2 Way - 2 Position, 24 VDC, grounded	1
	07285	VALVE, 2 Way - 2 Position, 24 VDC, 2 leads	1
12	00678	• COIL, 12 VDC, 2 Way - 2 Position, grounded	1
	07303	• COIL, 12 VDC, 2 Way - 2 Position, 2 leads	1
	07301	• COIL, 24 VDC, 2 Way - 2 Position, grounded	1
	00670	• COIL, 24 VDC, 2 Way - 2 Position, 2 leads	1
13	07193	• CARTRIDGE, 2 Way - 2 Position, N.C.	1
14	01349	STRAP, Motor-Solenoid Connecting	1
15	17071	SCREW, Round Head Machine 10-32 x 5/16"	2
16	01076	CLAMP, Cable	1
17	03427	SWITCH, Solenoid, 12 VDC, 3-post grounded to can	1
	03335	SWITCH, Solenoid, 12 VDC 4-post isolated ground	1
	03467	SWITCH, Solenoid, 24 VDC, 3 post, grounded to can	1
	03343	SWITCH, Solenoid, 24 VDC, 3 post, insulated ground	1
18	K12171-150	PUMPASSEMBLY, Modular	1
	K12171-200	PUMPASSEMBLY, Modular	1
	K12171-250	PUMPASSEMBLY, Modular	1
	K12171-270	PUMPASSEMBLY, Modular	1
	K12171-330	PUMPASSEMBLY, Modular	1
	K12171-380	PUMPASSEMBLY, Modular	1
	K12171-510	PUMPASSEMBLY, Modular	1
19	07819	• SCREW, 1/4-20 x 2 3/4 Socket Head Cap (For Pump Assembly -150 & -200)	4
	07818	• SCREW, 1/4-20 x 3 Socket Head Cap (For Pump Assembly -250, -270, -330, -380)	4
	07837	• SCREW, 1/4-20 x 3 1/4 Socket Head Cap (For Pump Assembly -510)	4
20	12402	BASEASSEMBLY, Modular	1
21	00120	• O-RING, Industrial (1/2" x 5/8" x 1/16")	1

Ref. No.	Part No.	Description	No. Req.
22	02352	• O-RING, Industrial (3-5/8" x 3-7/8" x 1/8")	1
23	07526	• PARTS KIT, Valve Assembly, poppet/ball check	1
24	02159	• SEAL	1
25	07527	• PARTS KIT, Relief Valve	1
26	08111	MOTOR, Electric, 12 VDC	1
	08112	MOTOR, Electric, 12 VDC	1
	08120	MOTOR, Electric, 24 VDC	1
27	02318	1• BEARING, Base, motor	1
28	07625	• NUT, Hex 5/16-24	1
29	07781	• WASHER, Lock 5/16"	1
30	07737	• WASHER, Star 1/4"	2
31	07738	• SCREW, Hex Head Cap 1/4-20 x 6-1/2"	2
		FOR FURTHER BREAKDOWN OF MOTOR, SEE MOTORSECTION	
32	02238	BRACKET, Mounting	1
33	07889	SCREW, Hex Head, thread forming 1/4-20 x 1-3/8"	2
34	06042	RESERVOIR, 6" x 9" , metal	1
	06044	RESERVOIR, 6" x 13.5"	1
35	07703	SCREW, Thread Forming 10-24 x 3/8"	6
36	13058	TUBE, Return (1/8")	1
37	01134	SCREEN, Filter (suction)	1
38	01209	TUBE, Filter Suction 3/8 NPT 90 Deg.	1
39	06102	RESERVOIR, 4-1/2" Dia. x 8", Plastic	1
	06103	RESERVOIR, 4-1/2" Dia. x 10", Plastic	1
	06104	RESERVOIR, 4-1/2" Dia. x 12", Plastic	1
40	03171	PLUG, Vent, 3/8" NPT	1
41	07900	CLAMP, Hose Worm Gear (in series)	1
42	01339	TERMINAL, Closed End, connector	1
43	03726	CORD, Harness, 72" 16-3, valve grounded (push button)	1
	03908	CORD, Harness, 72" 16-3, switches grounded (push button)	1
	03730	CORD, Harness, 72" 16-3, valve grounded (toggle & rocker)	1
	03909	CORD, harness, 72" 16-3, switch grounded (toggle & rocker)	1
44	03240	BOX ASSEMBLY, Push Button (weather proof)	1



U.S.A.:  
**MONARCH HYDRAULICS, INC.**  
 P.O. Box 1764, Grand Rapids, Michigan 49501-1764, U.S.A.  
 Telephone: (616) 458-1306  
 Telefax: (616) 458-1616  
<http://www.monarchhyd.com>

CANADA:  
**FLUID-PACK INTERNATIONAL LIMITED**  
 A Part of the Monarch Hydraulics Group  
 460 Newbold St., London, Ontario, Canada N6E 1K3  
 Telephone: (519) 686-5900  
 Telefax: (519) 686-8976