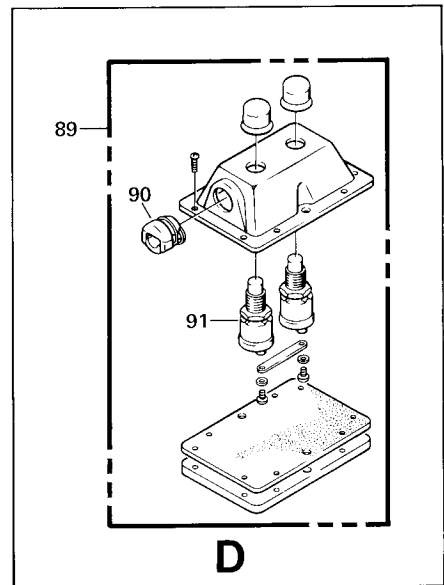
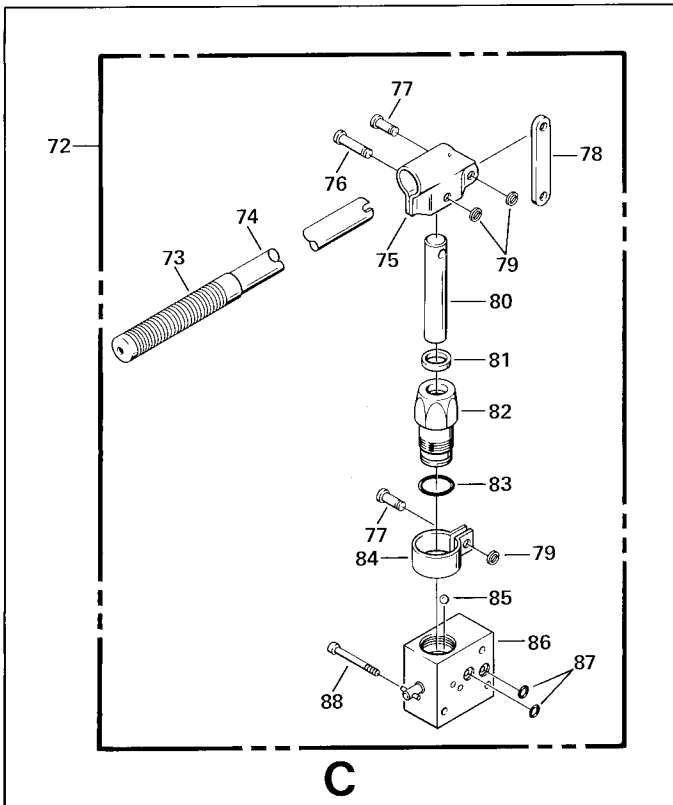
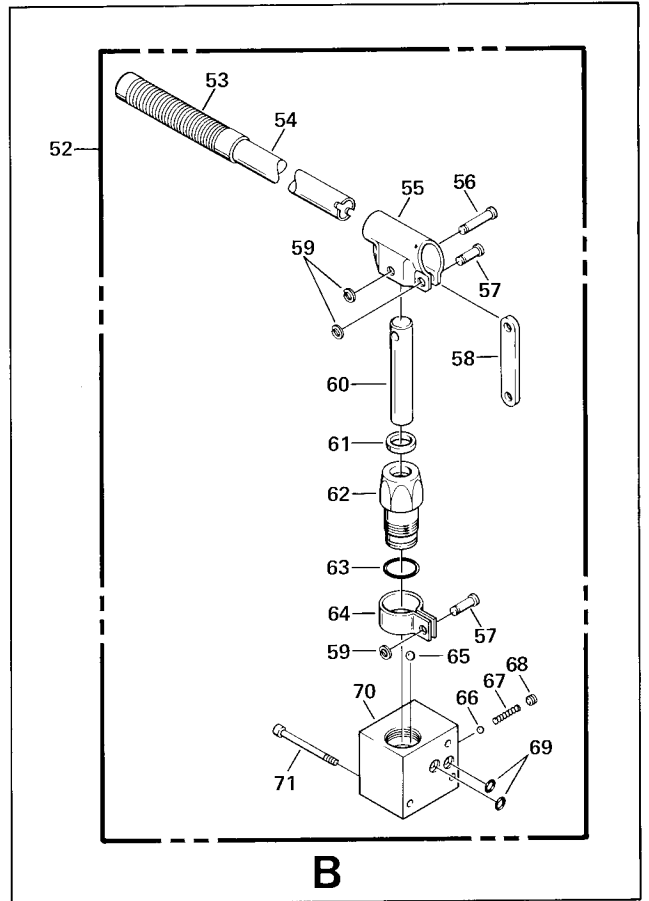
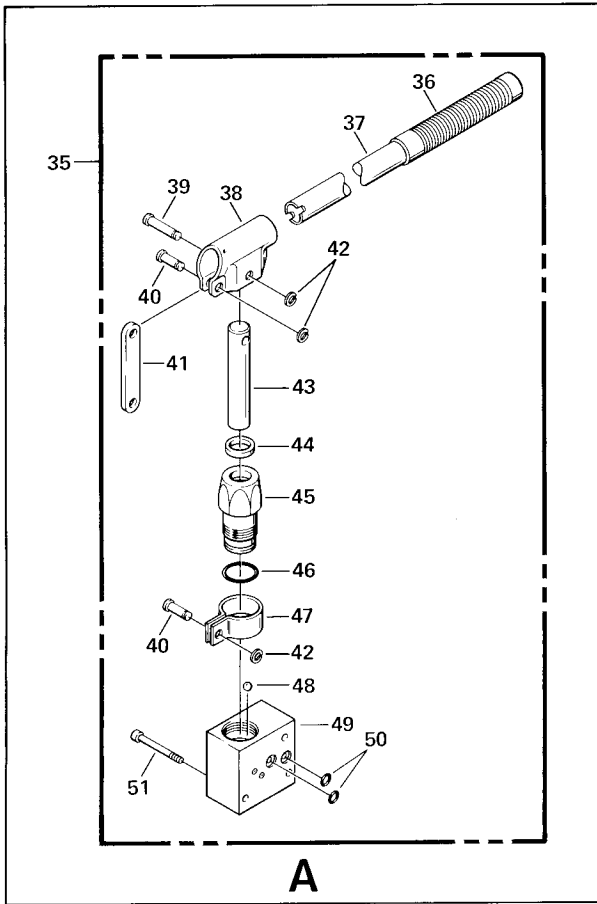


M-259

| Ref. No. | Part No. | Description | No. Req. |
|----------|----------------|--|----------|
| 1 | 01361 | CABLE, Insulated W/Lugs, 4-1/2", 6 ga | 1 |
| 2 | 08110 08070 | MOTOR, Electric, 12 VDC MOTOR, Electric, 24 VDC | 1 |
| 3 | 07882 | SCREW, Thread Forming, 10-24 x 1/4" | 2 |
| 4 | 04378 | BRACKET, Solenoid to Motor | 1 |
| 5 | 07892 | CLAMP, Hose, solenoid to motor | 1 |
| 6 | 03335 | SWITCH, Solenoid, 12 VDC, 4 post isolated ground, curved base | 1 |
| | 03774 | SWITCH, Solenoid, 12 VDC, 4 post, isolated ground, flat base | 1 |
| | 03427 | SWITCH, Solenoid, 12 VDC, 3 post, grounded to can, curved base | 1 |
| | 03493 | SWITCH, Solenoid, 12 VDC, 3 post, grounded to can, flat base | 1 |
| | 03463 | SWITCH, Solenoid, 24 VDC, 4 post, isolated ground, curved base | 1 |
| | 03464 | SWITCH, Solenoid, 24 VDC, 4 post, isolated ground, flat base | 1 |
| | 03343 | SWITCH, Solenoid, 24 VDC, 3 post, grounded to can, curved base | 1 |
| | 03775 | SWITCH, Solenoid, 24 VDC, 3 post, grounded to can, flat base | 1 |
| 7 | 03768 | WIRE ASSEMBLY, Ground, 6-1/2" long | 1 |
| 8 | 03976 | PUMP ASSY., GC 62, std mt, wall mt, face port 7/16 SAE (with items 12 & 13) | 1 |
| | 03982 | PUMP ASSY., GC 62, std mt, wall mt, check valve port, 7/16 SAE male (with items 14 & 15) | 1 |
| | 03985 | PUMP ASSY., GC 42, std mt, wall mt, face port, 7/16 SAE (with items 12 & 13) | 1 |
| | 03986 | PUMP ASSY., GC 42, std mt, wall mt, check valve port, 7/16 SAE male (with items 14 & 15) | 1 |
| 9 | 02970 | • PARTS KIT, Seal & Gasket | 1 |
| 10 | 03766 | • PARTS KIT, Relief Valve | 1 |
| 11 | 03274 | • PLUG, SAE 3/4-16 (with 00142 SAE o-ring) | 1 |
| 12 | 03633 | • PARTS KIT, Check Valve (all except check valve port) | 1 |
| 13 | 03276 | • PLUG, 9/16-18 SAE (with 00114 SAE o-ring) | 1 |
| 14 | 03827 | • ADAPTER ASSEMBLY, 1/4 NPTF (with 00114 SAE o-ring) | 1 |
| 15 | 03764 | • PARTS KIT, Check Valve (use with check valve port) | 1 |
| 16 | 05485 | • O-RING, Industrial, 3 x 3-1/8 x 1/16 | 1 |
| 17 | 01418 | STRAIN RELIEF (PLASTIC) | 1 |
| 18 | 03240 | BOX ASSEMBLY, Push Button (weather proof) | 1 |
| 19 | 01274 | TUBE, Return, 1/8 NPT 90 Deg, horizontal (for 3-1/2" x 3-1/2" reservoirs) | 1 |
| | 03832 | TUBE, Return, 1/8 NPT 90 Deg, horizontal (for 3-1/2" x 5-3/8" reservoirs) | 1 |

| Ref. No. | Part No. | Description | No. Req. |
|----------|----------|--|----------|
| 20 | 03839 | TUBE, Suction, 3/8 NPT 90 Deg, horizontal (for 3-1/2" x 3-1/2" reservoirs) | 1 |
| | 01209 | TUBE, Suction, 3/8 NPT 90 Deg, horizontal (for 3-1/2" x 5-3/8" reservoirs) | 1 |
| 21 | 03849 | TUBE, Return, 1/8 NPT x 4-13/16" (for vert 06230 reservoir) | 1 |
| | 03848 | TUBE, Return, 1/8 NPT x 9-7/16" (for vert 06231 reservoir) | 1 |
| | 03847 | TUBE, Return, 1/8 NPT x 14-1/16" (for vert 06232 reservoir) | 1 |
| | 03846 | TUBE, Return, 1/8 NPT x 18-11/16" (for vert 06233 reservoir) | 1 |
| | 03838 | TUBE, Return, 1/8 NPT x 2-3/4" (for vert 06218 reservoir) | 1 |
| | 03840 | TUBE, Return, 1/8 NPT x 4-5/8" (for vert 06217 reservoir) | 1 |
| | 01986 | TUBE, Return, 1/8 NPT x 6-1/2" (for vert 06216 reservoir) | 1 |
| | 01611 | TUBE, Return, 1/8 NPT x 8.0" (for vert 06215 reservoir) | 1 |
| | 01523 | TUBE, Return, 1/8 NPT x 10.0" (for vert 06214 reservoir) | 1 |
| | 03837 | TUBE, Return, 1/8 NPT x 12-1/8" (for vert 06213 reservoir) | 1 |
| 22 | 03845 | TUBE, Suction, 3/8 NPT x 4-15/16" (for vert 06230 reservoir) | 1 |
| | 03844 | TUBE, Suction, 3/8 NPT x 9-9/16" (for vert 06231 reservoir) | 1 |
| | 03843 | TUBE, Suction, 3/8 NPT x 14-3/16" (for vert 06232 reservoir) | 1 |
| | 03842 | TUBE, Suction, 3/8 NPT x 18-13/16" (for vert 06233 reservoir) | 1 |
| | 03836 | TUBE, Suction, 3/8 NPT x 2-7/8" (for vert 06218 reservoir) | 1 |
| | 03841 | TUBE, Suction, 3/8 NPT x 4-3/4" (for vert 06217 reservoir) | 1 |
| | 03835 | TUBE, Suction, 3/8 NPT x 6-5/8" (for vert 06216 reservoir) | 1 |
| | 01522 | TUBE, Suction, 3/8 NPT x 8-1/2" (for vert 06215 reservoir) | 1 |
| | 03834 | TUBE, Suction, 3/8 NPT x 10-3/8" (for vert 06214 reservoir) | 1 |
| | 03833 | TUBE, Suction, 3/8 NPT x 12-1/4" (for vert 06213 reservoir) | 1 |
| 23 | 03771 | CORD, Harness, 72" 16-3, switches grounded (push button) | 1 |
| | 03772 | CORD, Harness, 120" 16-3, switches grounded (push button) | 1 |
| | 03773 | CORD, Harness, 144" 16-3, switches grounded (push button) | 1 |
| 24 | 01339 | TERMINAL, Closed End, connector | 1 |
| 25 | 03824 | ELBOW, 90 deg, street | 1 |
| 26 | 03171 | PLUG, Vent (plastic) | 1 |
| 27 | 06230 | RESERVOIR, 3-1/2" x 3-1/2" x 6.46", in ³ usable oil = 27 vert., 31 horz. | 1 |
| | 06231 | RESERVOIR, 3-1/2" x 3-1/2" x 11.08", in ³ usable oil = 73 vert., 61 horz. | 1 |
| | 06232 | RESERVOIR, 3-1/2" x 3-1/2" x 15.70", in ³ usable oil = 120 vert., 92 horz. | 1 |
| | 06233 | RESERVOIR, 3-1/2" x 3-1/2" x 20.32", in ³ usable oil = 166 vert., 122 horz. | 1 |
| 28 | 07890 | CLAMP, Hose, reservoir | 1 |
| 29 | 06197 | RESERVOIR, 3-1/2" x 5-3/8" x 7.75", in ³ usable oil = 77 vert., 76 horz. | 1 |



M-259

| Ref. No. | Part No. | Description | No. Req. |
|----------|----------|--|----------|
| 06218 | | RESERVOIR, 3-1/2" x 5-3/8" x 4.88", in ³ usable oil = 31 vert., 39 horz. | 1 |
| 06217 | | RESERVOIR, 3-1/2" x 5-3/8" x 6.76", in ³ usable oil = 61 vert., 63 horz. | 1 |
| 06216 | | RESERVOIR, 3-1/2" x 5-3/8" x 8.64", in ³ usable oil = 92 vert., 87 horz. | 1 |
| 06215 | | RESERVOIR, 3-1/2" x 5-3/8" x 10.52", in ³ usable oil = 122 vert., 111 horz. | 1 |
| 06214 | | RESERVOIR, 3-1/2" x 5-3/8" x 12.40", in ³ usable oil = 152 vert., 135 horz. | 1 |
| 06213 | | RESERVOIR, 3-1/2" x 5-3/8" x 14.28", in ³ usable oil = 183 vert., 159 horz. | 1 |
| 30 | 01516 | PLUG, Vent (steel) | 1 |
| 31 | 00488 | VALVE, Electric, 2 way-2 position, 12 VDC, 4000 psi, poppet, grounded coil | 1 |
| | 00491 | VALVE, Electric, 2 way-2 position, 24 VDC 4000 psi, poppet, grounded coil | 1 |
| 32 | 00496 | • COIL, 2 Way-2 Position, normally closed, 12 VDC grounded coil | 1 |
| | 00497 | • COIL, 2 Way-2 Position, normally closed, 24 VDC grounded coil | 1 |
| 33 | 00263 | • CARTRIDGE, 2 Way-2 Position, normally closed, 12 VDC & 24 VDC, 4000 psi | 1 |
| 34 | 00121 | • PARTS KIT, 2 Way-2 Position, cartridge | 1 |
| 35 | 03943 | HAND PUMP ASSEMBLY (Left Hand) | 1 |
| 36 | 03914 | • GRIP, Hand Pump | 1 |
| 37 | 03890 | • HANDLE ASSY, Hand Pump (includes grip) | 1 |
| 38 | 04377 | • BRACKET, Handle, receiver | 1 |
| 39 | 03877 | • PIN, Clevis, piston, handle, 5/16" x 1-1/8" | 1 |
| 40 | 03878 | • PIN, Clevis, piston, handle, 5/16" x 1/2" | 2 |
| 41 | 04381 | • BRACKET, Tension Link | 1 |
| 42 | 03876 | • RING, Retaining, 5/16" | 3 |
| 43 | 03915 | • ROD, Piston, 3/4" | 1 |
| 44 | 03932 | • SEAL, Piston Rod | 1 |
| 45 | 03916 | • HOUSING, Piston Rod | 1 |
| 46 | 01475 | • O-RING, Industrial, 15/16 x 1-1/16 x 1/16 | 1 |
| 47 | 04380 | • BRACKET, Piston Housing Collar | 1 |
| 48 | 00126 | • BALL, 5/16" Dia. | 1 |
| 49 | 00600 | • HOUSING ASSY., Main Body, left | 1 |
| 50 | 00113 | • O-RING, Industrial, 5/16 x 7/16 x 1/16 | 2 |
| 51 | 07746 | • SCREW, Socket Head Cap, 1/4-20 x 1-3/4" | 3 |
| 52 | 03956 | HAND PUMP ASSEMBLY | 1 |
| 53 | 03914 | • GRIP, Hand Pump | 1 |
| 54 | 03890 | • HANDLE ASSY, Hand Pump (includes grip) | 1 |
| 55 | 04377 | • BRACKET, Handle, receiver | 1 |
| 56 | 03877 | • PIN, Clevis, piston, handle, 5/16" x 1-1/8" | 1 |

| Ref. No. | Part No. | Description | No. Req. |
|----------|----------|---|----------|
| 57 | 03878 | • PIN, Clevis, piston, handle, 5/16" x 1/2" | 2 |
| 58 | 04381 | • BRACKET, Tension Link | 1 |
| 59 | 03876 | • RING, Retaining, 5/16" | 3 |
| 60 | 03915 | • ROD, Piston, 3/4" | 1 |
| 61 | 03932 | • SEAL, Piston Rod | 1 |
| 62 | 03916 | • HOUSING, Piston Rod | 1 |
| 63 | 01475 | • O-RING, Industrial, 15/16 x 1-1/16 x 1/16 | 1 |
| 64 | 04380 | • BRACKET, Piston Housing Collar | 1 |
| 65 | 00126 | • BALL, 5/16" Dia. | 1 |
| 66 | 03873 | • BALL, 3/16" Dia. | 1 |
| 67 | 03917 | • SPRING, Check, main | 1 |
| 68 | 07669 | • PLUG, Flush, 1/16-27 NPTF | 1 |
| 69 | 00113 | • O-RING, Industrial, 5/16 x 7/16 x 1/16 | 2 |
| 70 | 00625 | • HOUSING ASSY., Main Body | 1 |
| 71 | 07761 | • SCREW, Socket Head Cap, 1/4-20 x 2-1/4" | 3 |
| 72 | 03987 | HAND PUMP ASSEMBLY (right hand) | 1 |
| 73 | 03914 | • GRIP, Hand Pump | 1 |
| 74 | 03890 | • HANDLE ASSY, Hand Pump (includes grip) | 1 |
| 75 | 04377 | • BRACKET, Handle, receiver | 1 |
| 76 | 03877 | • PIN, Clevis, piston, handle, 5/16" x 1-1/8" | 1 |
| 77 | 03878 | • PIN, Clevis, piston, handle, 5/16" x 1/2" | 2 |
| 78 | 04381 | • BRACKET, Tension Link | 1 |
| 79 | 03876 | • RING, Retaining, 5/16" | 3 |
| 80 | 03915 | • ROD, Piston, 3/4" | 1 |
| 81 | 03932 | • SEAL, Piston Rod | 1 |
| 82 | 03916 | • HOUSING, Piston Rod | 1 |
| 83 | 01475 | • O-RING, Industrial, 15/16 x 1-1/16 x 1/16 | 1 |
| 84 | 04380 | • BRACKET, Piston Housing Collar | 1 |
| 85 | 00126 | • BALL, 5/16" Dia. | 1 |
| 86 | 00626 | • HOUSING ASSY., Main Body, right | 1 |
| 87 | 00113 | • O-RING, Industrial, 5/16 x 7/16 x 1/16 | 2 |
| 88 | 07746 | • SCREW, Socket Head Cap, 1/4-20 x 1-3/4" | 3 |
| 89 | 03317 | BOX ASSEMBLY, Push Button | 1 |
| 90 | 01418 | • STRAIN RELIEF (plastic) | 1 |
| 91 | 03313 | • SWITCH, Push Button, 2-terminal | 2 |



U.S.A.:
MONARCH HYDRAULICS, INC.
 "Formerly Monarch Road Machinery"
 P.O. Box 1764, Grand Rapids, Michigan 49501-1764, U.S.A.
 Telephone: (616) 458-1306 / Telex: 226467 MONARCH GDR
 Telefax: (616) 458-1616

CANADA:
FLUID-PACK INTERNATIONAL LIMITED
 A Part of the Monarch Hydraulics Group
 460 Newbold St., London, Ontario, Canada N6E 1K3
 Telephone: (519) 686-5900 / Telex: 064 5938 FLUID PACK LDN
 Telefax: (519) 686-8976