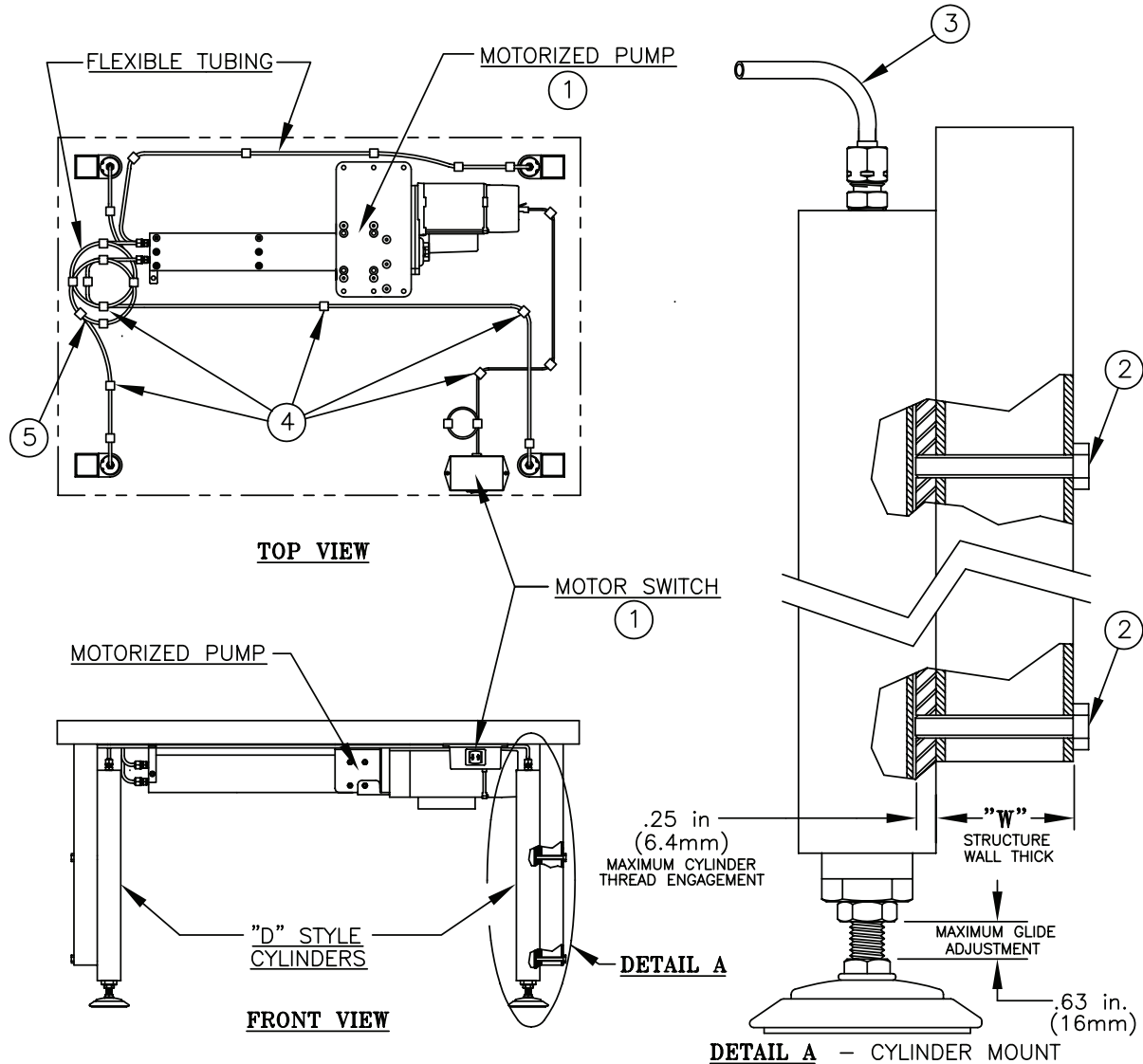


Dyna-Lift Application Guide (Motorized Dyna-Lift Only)

Please reference diagrams and correlating instructions below for installation.



1. Motorized pump should be mounted towards the backside of the structure as shown above to protect it from damage. Motor switch should be mounted so that it is easily accessible to the user.

2. Use 1/4-20 screws to mount "D" style cylinder to structure.

****IMPORTANT NOTE: Cylinder mounting screw thread engagement should not exceed .25 in (6.4 mm). Overall screw length can be determined by adding "W" + .25 in (6.4 mm).****

3. Minimum flexible tubing bend radius = 1 in (25.4 mm).

4. To avoid damage to flexible tubing, take special care to route tubing away from sharp edges, moving parts and/or the user. Flexible tubing can be affixed to structure with cable or wire carrying clips.

****IMPORTANT NOTE: CLIPS MUST NOT CLAMP ONTO OR GRIP TUBING IN ANY MANNER.****

5. Coil excess flexible tubing near the backside of the pump to avoid damage. To remove excess tubing, consult factory for instructions.

****IMPORTANT NOTE: LOAD MUST BE EVENLY DISTRIBUTED OVER ALL CYLINDERS.****